

Ferrule - AI 0,75- 8 GY - 3200519

Please be informed that the data shown in this PDF Document is generated from our Online Catalog. Please find the complete data in the user's documentation. Our General Terms of Use for Downloads are valid (<http://download.phoenixcontact.com>)



Ferrule, Length: 14 mm, Color: gray


The figure shows the version AI 0,75-8 GY

Product Features

- The insulation reliability of close connections is increased and the splicing of wires is prevented
- The ferrules with plastic sleeve are made from soft tin-plated electrolytic copper
- The AI 0,25.. ferrules can also be used to process 0.14 mm² conductors



Key commercial data

Packing unit	1 PCE
Minimum order quantity	100 PCE
GTIN	 4 017918 094126
Custom tariff number	85369010
Country of origin	GERMANY

Technical data

Dimensions

Length (b)	14 mm
Sleeve length	8 mm
Inner dimension of the insulating collar (d)	2.8 mm
Ferrule diameter	1.3 mm
Insulating collar thickness	0.25 mm
Sleeve wall thickness	0.15 mm

Ambient conditions

Ferrule - Al 0,75- 8 GY - 3200519

Technical data

Ambient conditions

Short-term temperature	120 °C
Max. permanent temperature	105 °C

General

Color	gray
Inflammability class according to UL 94	HB
Components	free from silicone and halogen
Material	E-CU

Classifications

ETIM

ETIM 2.0	EC000005
ETIM 3.0	EC000005
ETIM 4.0	EC000005
ETIM 5.0	EC000005

UNSPSC

UNSPSC 11	27121703
UNSPSC 12.01	27121703
UNSPSC 13.2	27121703
UNSPSC 6.01	30212109
UNSPSC 7.0901	27121703

eCl@ss

eCl@ss 4.0	27060701
eCl@ss 4.1	27060701
eCl@ss 5.0	27400201
eCl@ss 5.1	27400201
eCl@ss 6.0	27400201
eCl@ss 7.0	27400201
eCl@ss 8.0	27400201

Approvals

Approvals

Ferrule - Al 0,75- 8 GY - 3200519

Approvals

Approvals

CSA / CSAus / cCSAus

Ex Approvals

Approvals submitted

Approval details

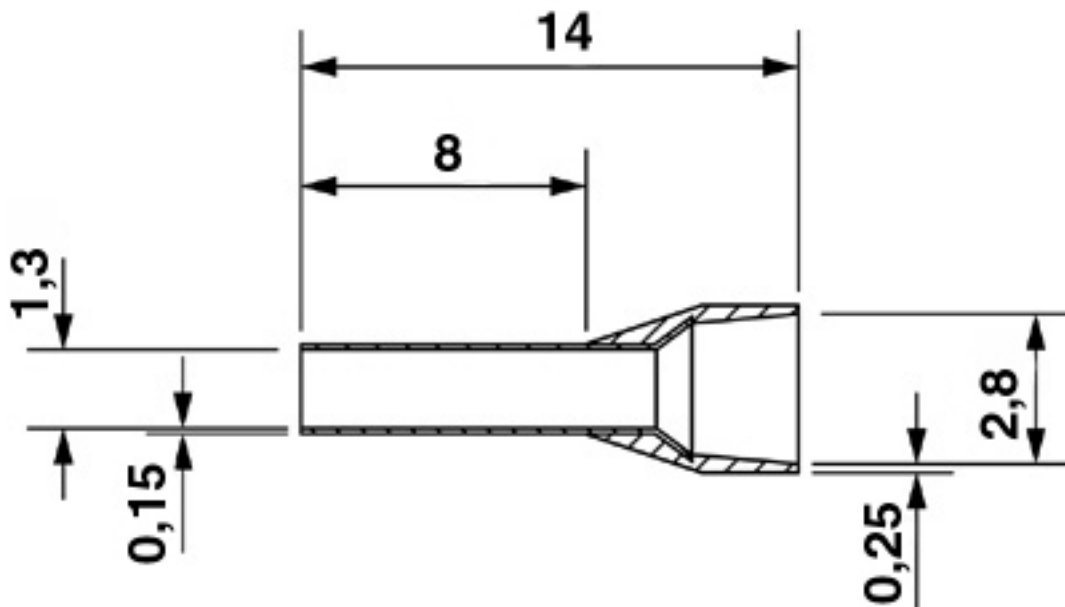
CSA 

CSAus

cCSAus

Drawings

Dimensioned drawing



<https://www.phoenixcontact.com/us/products/3200519>



© Phoenix Contact 2013 - all rights reserved
<http://www.phoenixcontact.com>