



| | | |
|-----------------------|----------|-----------------|
| Identification | Type | USB-3.0 A/A F/F |
| | Part-No. | 490112 |

| | | |
|--------------------|--|--|
| Description | USB 3.0 panel connector with M22 thread for front installation | |
| | USB 3.0 Female / Female Type A/A | |
| | Typ: UBS-3.0 A/A F/F | |

| | |
|------------------------|-----------|
| Technical data | |
| Nominal voltage | AC/DC 5 V |
| Nominal voltage range | max. 30 V |
| Rated current | 900 mA |
| Number of terminations | 9 |
| Transfer rate | 5 Gbit/s |
| USB standard | 3.0 |
| Contact type | 1 : 1 |
| Shielding | yes |

| | |
|-----------------------|--------------------------------|
| General | |
| Form | USB 3.0 Female/Female Type A/A |
| Pollution degree | 3 |
| Insulation resistance | >100 MΩ |
| Contact resistance | <30 mΩ |

10.08.2014 – Subject to technical modification

Part-No. 490112

USA: LUTZE INC.

13330 South Ridge Drive • Charlotte, NC 28273, USA
Tel. +1 (704) 504-0222 • Fax +1 (704) 504-0223
www.lutze.com • info@lutze.com

United Kingdom: LÜTZE Ltd.

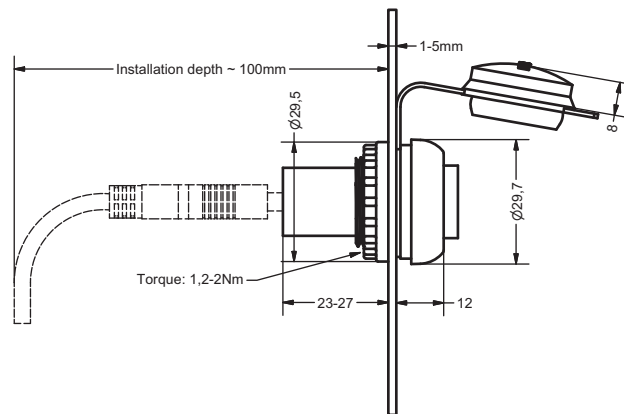
Unit 3, Sandy Hill Park
Sandy Way, Amington • GB-Tamworth, Staffs B77 4DU
Tel. +44 (0)1827 31333-0 • Fax +44 (0)1827 31333-2
www.lutze.com • sales.gb@lutze.co.uk



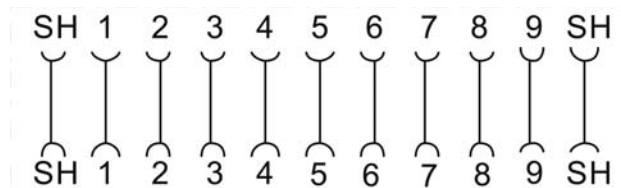
Technical data sheet - Actuator sensor interface

| | |
|-----------------------------|---|
| Protection class | IP 65 and UL NEMA Typ 12 65 in closed and IP 20 in inserted condition |
| Housing material | Female: PA, PVC, Cover, TPU |
| Contact material | CuSn, gold-plated |
| Field installation | Front plate cutout D=22.5mm |
| Storage temperature range | -25 °C – 80 °C |
| Operation temperature range | -20 °C – 70 °C |
| Dimension | (D×T) 29.5 × 42.5 mm, installation depth appr. 100 mm |
| Mechanical service life | >100 insertion cycles |
| Weight (kg/piece) | 0.009 |
| Approvals | cULus |
| PU | 1 |

Dimensions



PIN assignment



10.08.2014 – Subject to technical modification

Part-No. 490112

USA: LUTZE INC.

13330 South Ridge Drive • Charlotte, NC 28273, USA

Tel. +1 (704) 504-0222 • Fax +1 (704) 504-0223

www.lutze.com • info@lutze.com

United Kingdom: LÜTZE Ltd.

Unit 3, Sandy Hill Park

Sandy Way, Amington • GB-Tamworth, Staffs B77 4DU

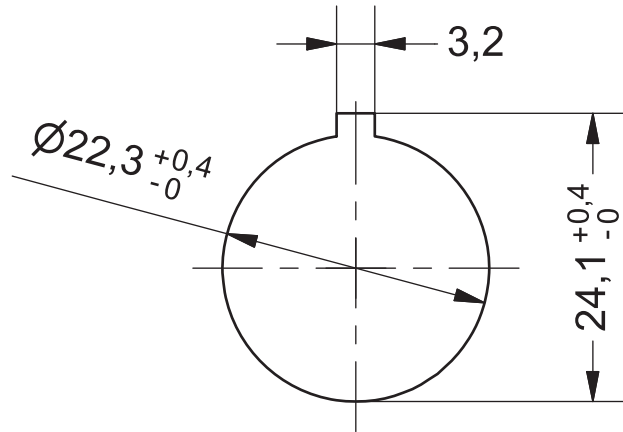
Tel. +44 (0)1827 31333-0 • Fax +44 (0)1827 31333-2

www.lutze.com • sales.gb@lutze.co.uk

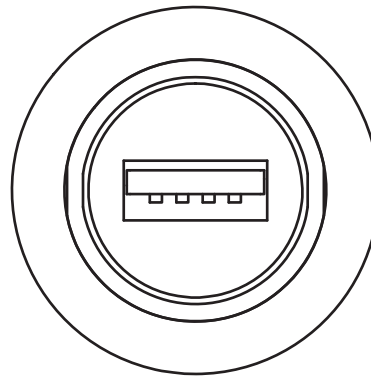


SYSTEMATIC TECHNOLOGY

Mounting diagram



front view



Logo



Comments

Included in the delivery: captive safety cap

10.08.2014 – Subject to technical modification

Part-No. 490112

USA: LUTZE INC.

13330 South Ridge Drive • Charlotte, NC 28273, USA
Tel. +1 (704) 504-0222 • Fax +1 (704) 504-0223
www.lutze.com • info@lutze.com

United Kingdom: LÜTZE Ltd.

Unit 3, Sandy Hill Park
Sandy Way, Amington • GB-Tamworth, Staffs B77 4DU
Tel. +44 (0)1827 31333-0 • Fax +44 (0)1827 31333-2
www.lutze.com • sales.gb@lutze.co.uk