

RJ45 panel connector



---

<b>Identification</b>	Type	RJ45 F/F 8/8 Cat.5e
	Part-No.	492075

---

---

<b>Description</b>	RJ45 panel connector for front installation 22.5 mm female/female 1:1 Category 5e/6
--------------------	---

---

---

<b>Technical data</b>	
Nominal voltage	AC 24 V
Nominal voltage range	AC 50 V
Rated current	1.5 A
Number of terminations	8
Category	5e
Contact type	1 : 1
Shielding	shield connected through

---

---

<b>General</b>	
Form	RJ45
Pollution degree	3
Insulation resistance	$\geq 100 \text{ M}\Omega$
Contact resistance	$\leq 30 \text{ m}\Omega$
Class of flammability according to UL 94	V0

---

10.08.2014 – Subject to technical modification

Part-No. 492075

USA: LUTZE INC.

13330 South Ridge Drive • Charlotte, NC 28273, USA  
Tel. +1 (704) 504-0222 • Fax +1 (704) 504-0223  
www.lutze.com • info@lutze.com

United Kingdom: LÜTZE Ltd.

Unit 3, Sandy Hill Park  
Sandy Way, Amington • GB-Tamworth, Staffs B77 4DU  
Tel. +44 (0)1827 31333-0 • Fax +44 (0)1827 31333-2  
www.lutze.com • sales.gb@lutze.co.uk

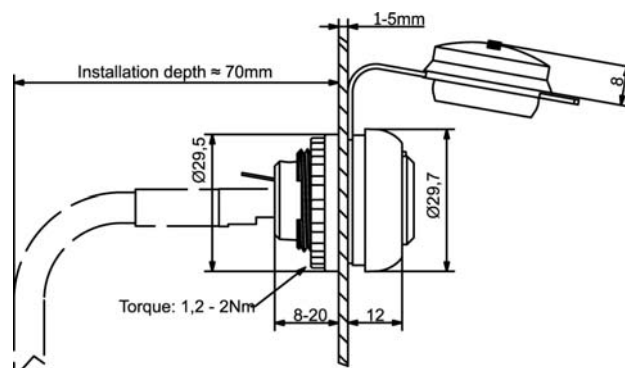


SYSTEMATIC TECHNOLOGY

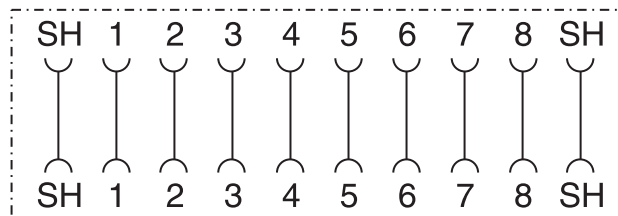
## Technical data sheet - Actuator sensor interface

Protection class	IP 65 and NEMA UL Type 12 in closed and IP 20 in inserted condition
Housing material	PA-GF25; PBT Gf20; cover TPU
Cover	TPU
Contact material	CuSn, gold-plated
Field installation	Front plate cutout D=22.5mm
Installation depth	approx. 70 mm
Cable construction	8 (4-pair)
Storage temperature range	-25 °C – 80 °C
Operation temperature range	-25 °C – 70 °C
Dimension	(?×D) 29.5 × 29 mm
Mechanical service life	<750 insertion cycles
Weight (kg/piece)	0.016
Approvals	cULus
PU	1

### Dimensions



### Circuit diagram



10.08.2014 – Subject to technical modification

Part-No. 492075

USA: LUTZE INC.

13330 South Ridge Drive • Charlotte, NC 28273, USA

Tel. +1 (704) 504-0222 • Fax +1 (704) 504-0223

www.lutze.com • info@lutze.com

United Kingdom: LÜTZE Ltd.

Unit 3, Sandy Hill Park

Sandy Way, Amington • GB-Tamworth, Staffs B77 4DU

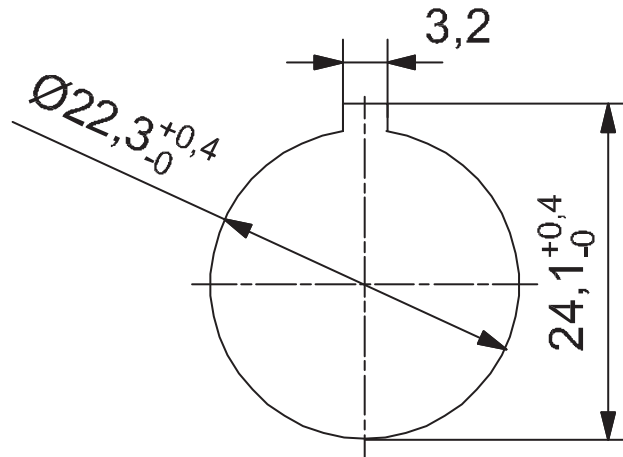
Tel. +44 (0)1827 31333-0 • Fax +44 (0)1827 31333-2

www.lutze.com • sales.gb@lutze.co.uk

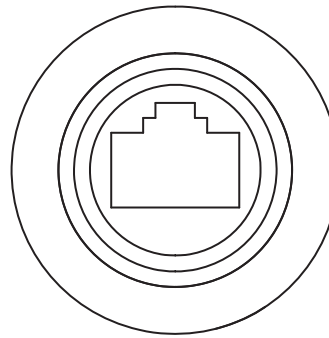


SYSTEMATIC TECHNOLOGY

Mounting diagram



front view:



Logo



10.08.2014 – Subject to technical modification

Part-No. 492075

USA: LUTZE INC.

13330 South Ridge Drive • Charlotte, NC 28273, USA  
Tel. +1 (704) 504-0222 • Fax +1 (704) 504-0223  
www.lutze.com • info@lutze.com

United Kingdom: LÜTZE Ltd.

Unit 3, Sandy Hill Park  
Sandy Way, Amington • GB-Tamworth, Staffs B77 4DU  
Tel. +44 (0)1827 31333-0 • Fax +44 (0)1827 31333-2  
www.lutze.com • sales.gb@lutze.co.uk