

Socket - EM-DUO 120/15 - 5600461


Please be informed that the data shown in this PDF Document is generated from our Online Catalog. Please find the complete data in the user's documentation. Our General Terms of Use for Downloads are valid (<http://download.phoenixcontact.com>)



Rail-mountable double socket, for mounting on 35 mm DIN rail in acc. with EN EN 60715, housing color: white, with screw connection, national version: USA



Key commercial data

Packing unit	1 PCE
Minimum order quantity	600 PCE
GTIN	 4 017918 929930
Custom tariff number	85366990
Country of origin	UNITED STATES

Technical data

Dimensions

Width	83 mm
Height	134 mm
Depth	49 mm

Ambient conditions

Ambient temperature (operation)	-20 °C ... 50 °C
---------------------------------	------------------

General

Nominal voltage U_N	125 V AC
Nominal current I_N	15 A
Contact material	CuZn37
For country-specific use in	USA

Socket - EM-DUO 120/15 - 5600461

Technical data

General

Color	white
Insulating material	PVC 94 V0
Standards/regulations	UL 508

Connection data

Conductor cross section solid min.	0.2 mm ²
Conductor cross section solid max.	6 mm ²
Conductor cross section stranded min.	0.2 mm ²
Conductor cross section stranded max.	4 mm ²
Conductor cross section AWG/kcmil min.	30
Conductor cross section AWG/kcmil max	10
Connection method	Screw connection
Stripping length	8 mm
Screw thread	M3

Classifications

eCl@ss

eCl@ss 4.0	27142305
eCl@ss 4.1	27142305
eCl@ss 5.0	27143412
eCl@ss 5.1	27143412
eCl@ss 6.0	27143412
eCl@ss 7.0	27440519
eCl@ss 8.0	27440519

ETIM

ETIM 2.0	EC001325
ETIM 3.0	EC001325
ETIM 4.0	EC001325
ETIM 5.0	EC001325

UNSPSC

UNSPSC 6.01	30211806
UNSPSC 7.0901	39121406
UNSPSC 11	39121406
UNSPSC 12.01	39121406
UNSPSC 13.2	39121406

Socket - EM-DUO 120/15 - 5600461

Approvals

Approvals


Approvals


UL Listed / cUL Listed / cULus Listed


Ex Approvals

Approvals submitted

Approval details

UL Listed 	
mm ² /AWG/kcmil	30-10
Nominal current I _N	15 A
Nominal voltage U _N	125 V

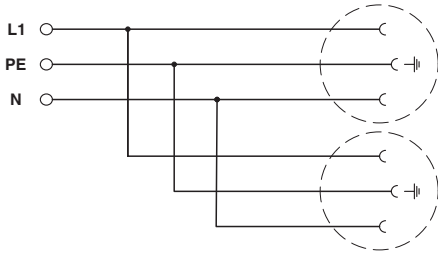
cUL Listed 	
mm ² /AWG/kcmil	30-10
Nominal current I _N	15 A
Nominal voltage U _N	125 V

cULus Listed 	
--	--

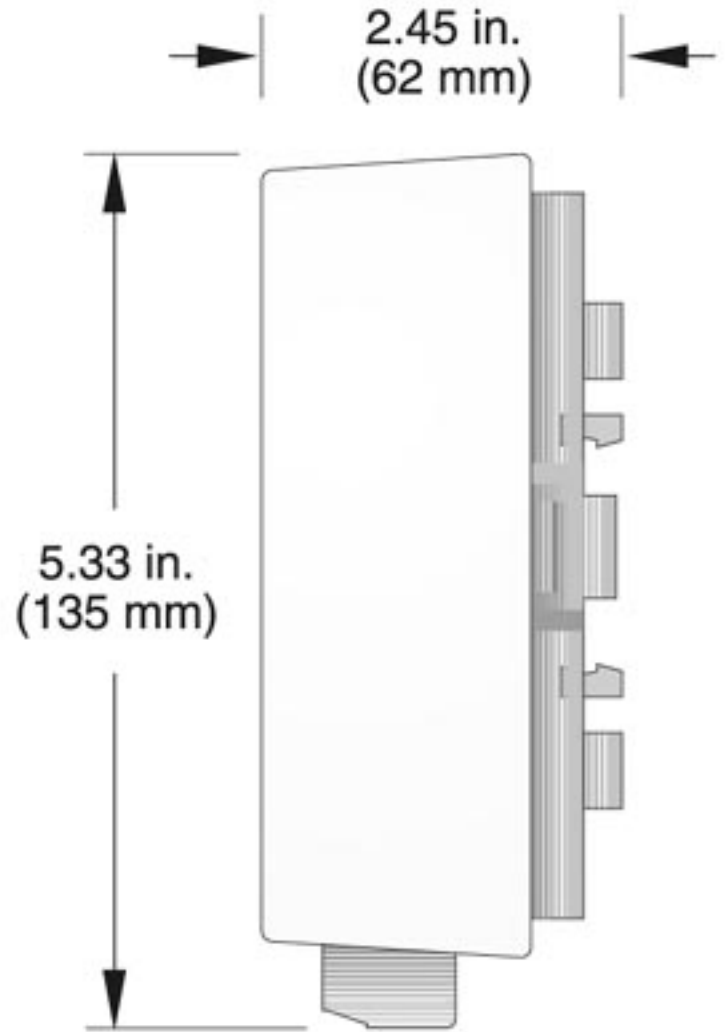
Drawings

Socket - EM-DUO 120/15 - 5600461

Circuit diagram



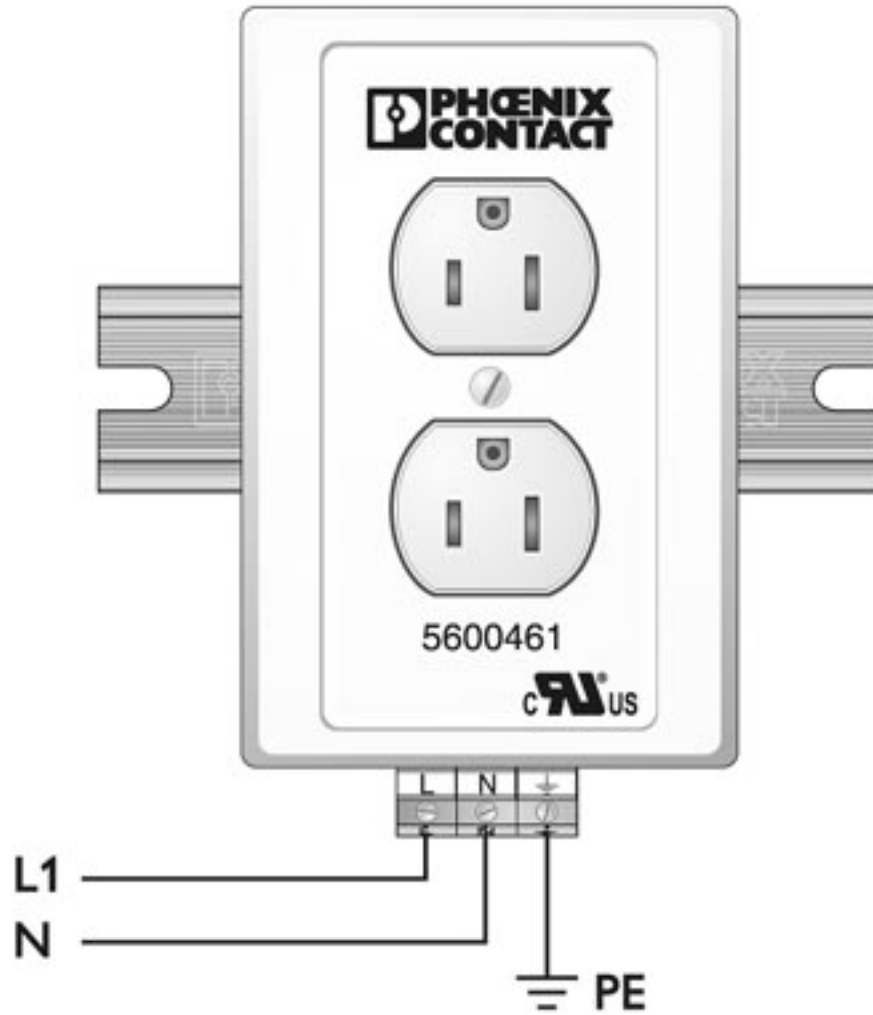
Dimensioned drawing



Side view

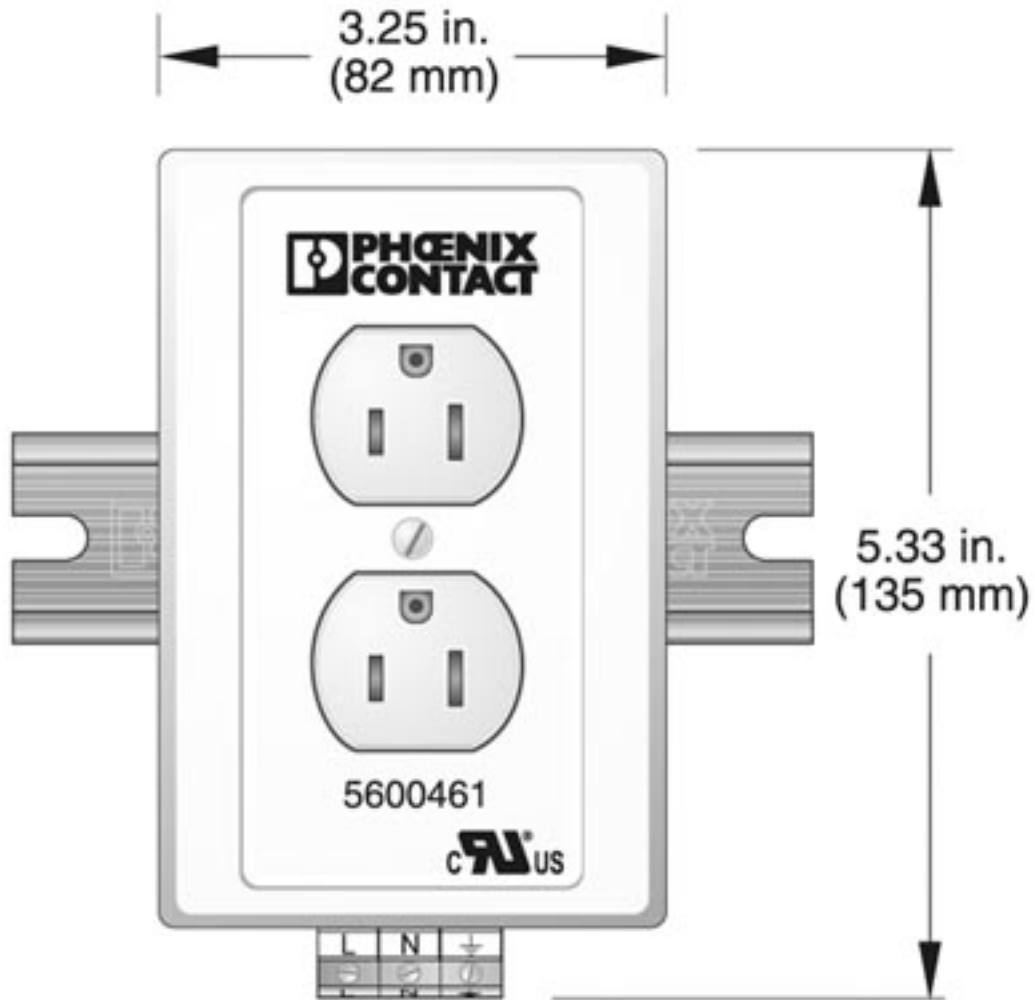
Socket - EM-DUO 120/15 - 5600461

Connection diagram



Socket - EM-DUO 120/15 - 5600461

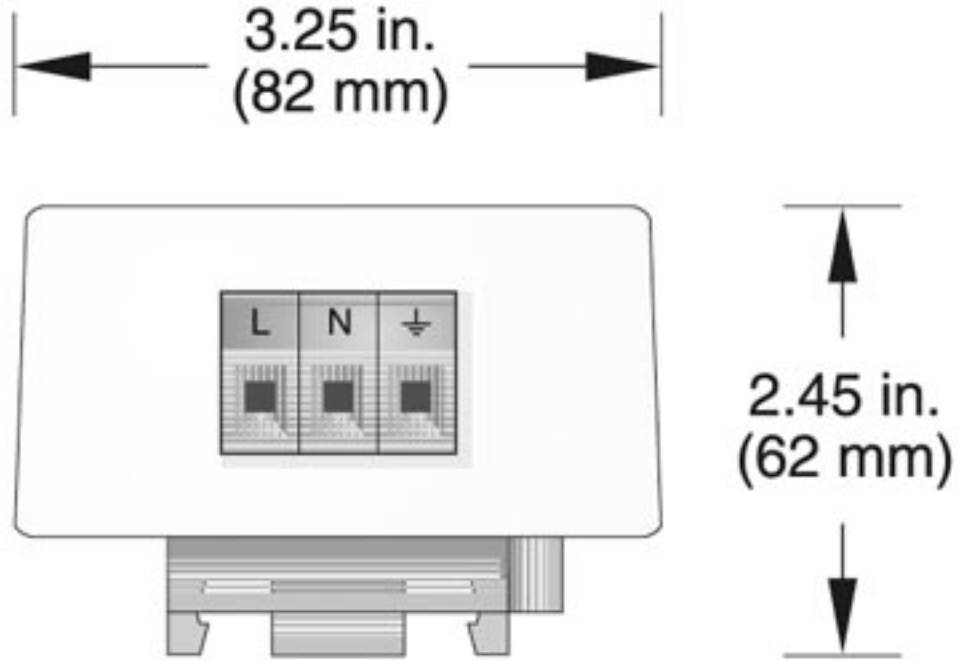
Dimensioned drawing



Front view

Socket - EM-DUO 120/15 - 5600461

Dimensioned drawing



Bottom view