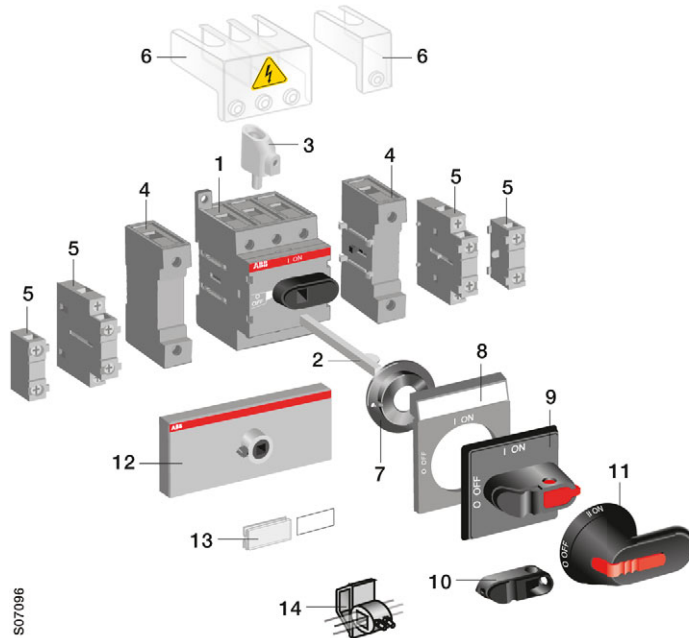


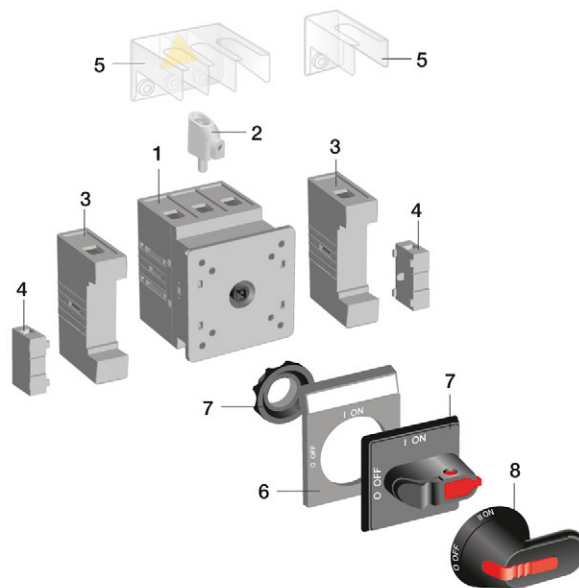
Accessories Selection overview

OT16F...OT125F



1 Switch-disconnector | 2 Extended shaft | 3 Terminal clamp | 4 Fourth pole, N- and PE-terminals | 5 Auxiliary contact | 6 Terminal shroud | 7 Shaft alignment ring | 8 Legend plate | 9 Selector type handle | 10 Handle knob | 11 Pistol type handle | 12 Conversion kit | 13 Labelling accessories | 14 Cam attachment for interlocking

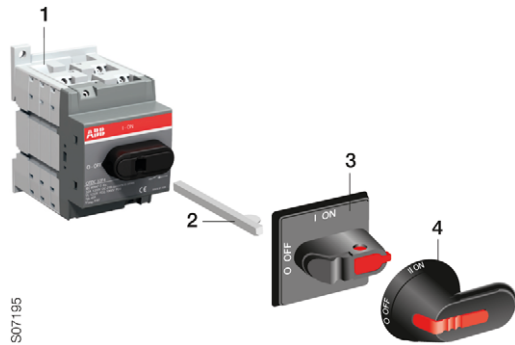
OT16FT...OT125FT



1 Switch-disconnector | 2 Terminal clamp | 3 Fourth pole, N- and PE-terminals | 4 Auxiliary contact | 5 Terminal shroud | 6 Legend plate | 7 Selector type handle | 8 Pistol type handle

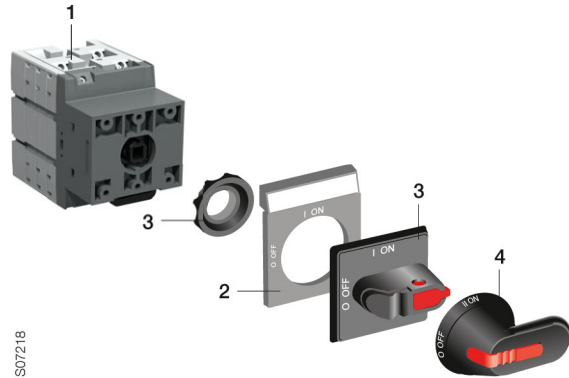
Accessories Selection overview

OTDC16...32



S07195

OTDC16...32FT

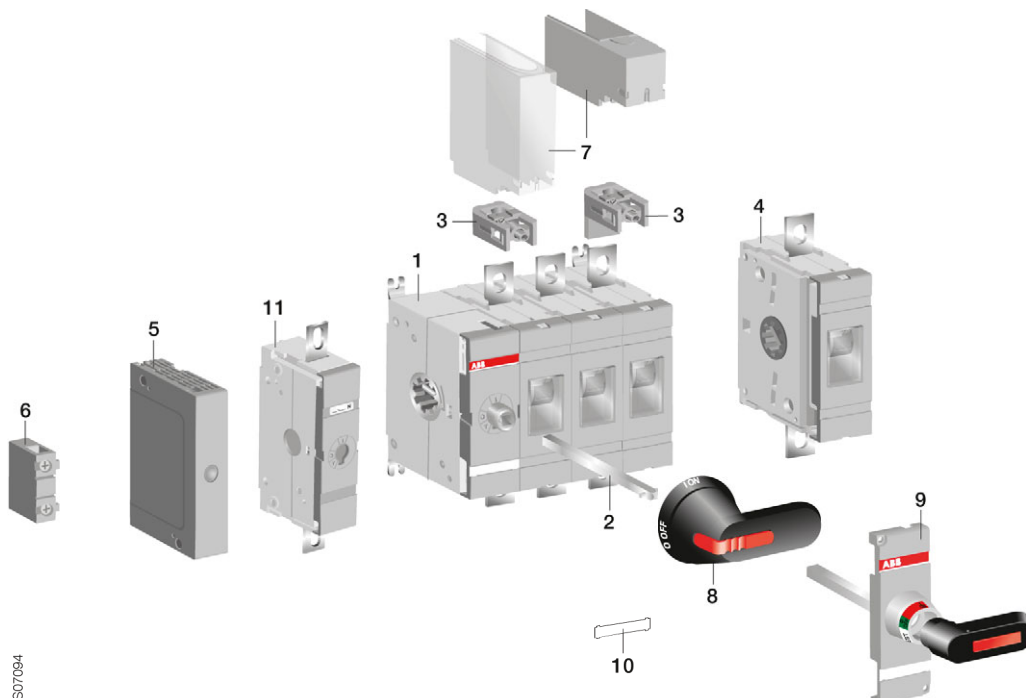


S07218

1 Switch-disconnector | 2 Extended shaft | 3 Selector type handle | 4 Pistol type handle

1 Switch-disconnector | 2 Legend plate | 3 Selector type handle | 4 Pistol type handle

OT160EV...OT2500

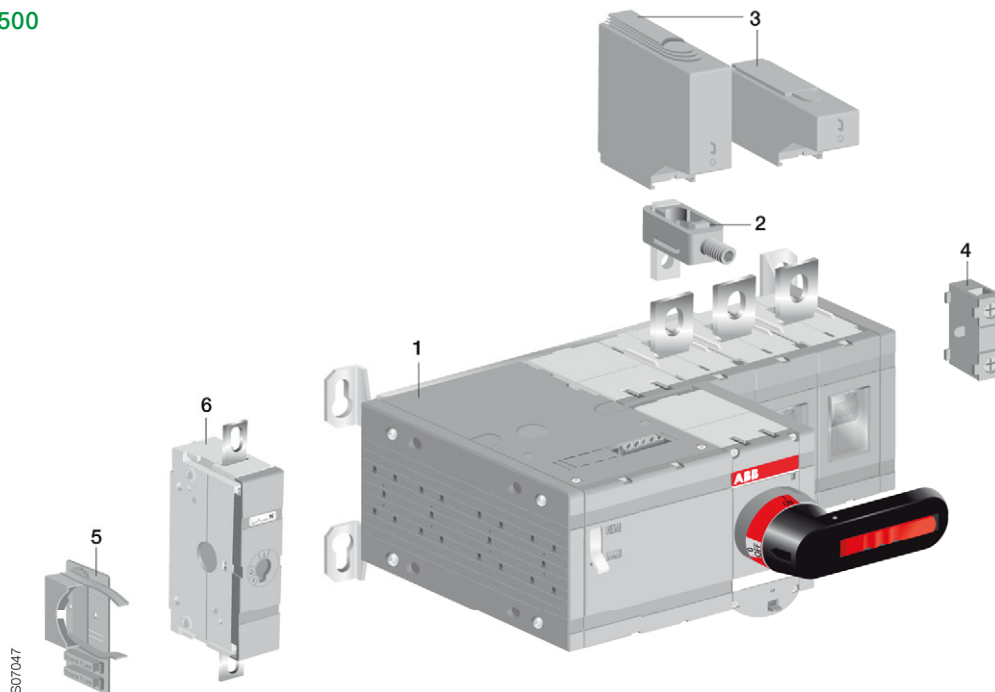


S07094

1 Switch-disconnector | 2 Extended shaft | 3 Terminal clamp | 4 Fourth pole | 5 Module for auxiliary contact | 6 Auxiliary contact | 7 Terminal shroud | 8 Pistol type handle | 9 Direct mounting type handle | 10 Labelling accessories | 11 Detachable neutral link

Accessories Selection overview

OTM160...OTM2500



1 Motorized switch-disconnector | 2 Terminal clamp | 3 Terminal shroud | 4 Auxiliary contact | 5 Storage for handle and fuses | 6 Detachable neutral link

Ordering information

Accessories

OHBS12
S01472A



OHRS2_
S01368A



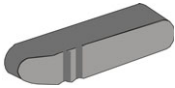
OHBS1_
S00684A



OHRS3_
S01369A



OHBS9_
S00635A



Handle knobs, for base and DIN-rail mounted switches

Mounting directly to the switch, no shaft needed.

Handle length	Colour	Handle length [mm]	Suitable for switches	Type	Order number	Units/ type [pcs]	Weight/ unit [kg]
Padlockable in 0-position with one padlock with bail diameter 5 mm							
Black	37	37	OT16...40F3/F4	OHBS12	1SCA108252R1001	10	0.01
Red	37	37	OT16...40F3/F4	OHRS12	1SCA108253R1001	10	0.01
Black	40	40	OT63...125F3/F4, OT16...40F6/F8, OTDC16...32F	OHBS2	1SCA109089R1001	10	0.01
Black	40	40	OT63...125F3/F4, OT16...40F6/F8, OTDC16...32F	OHBS2/1	1SCA109090R1001	1	0.01
Red	40	40	OT63...125F3/F4, OT16...40F6/F8, OTDC16...32F	OHRS2	1SCA108598R1001	10	0.01
Red	40	40	OT63...125F3/F4, OT16...40F6/F8, OTDC16...32F	OHRS2/1	1SCA108599R1001	1	0.01
Non-padlockable							
Black	31	31	OT16...80F3/F4, OTDC16...32F	OHBS1	1SCA109087R1001	10	0.01
Black	31	31	OT16...80F3/F4, OTDC16...32F	OHBS1/1	1SCA109088R1001	1	0.01
Red	31	31	OT16...80F3/F4, OTDC16...32F	OHRS1	1SCA109095R1001	10	0.01
Red	31	31	OT16...80F3/F4, OTDC16...32F	OHRS1/1	1SCA109096R1001	1	0.01
Black	39	39	OT16...125F3/F4, OT16...40F6/F8, OTDC16...32F	OHBS3	1SCA108320R1001	10	0.01
Black	39	39	OT16...125F3/F4, OT16...40F6/F8, OTDC16...32F	OHBS3/1	1SCA108319R1001	1	0.01
Red	39	39	OT16...125F3/F4, OT16...40F6/F8, OTDC16...32F	OHRS3	1SCA108667R1001	10	0.01
Red	39	39	OT16...125F3/F4, OT16...40F6/F8, OTDC16...32F	OHRS3/1	1SCA108688R1001	1	0.01
Black	72	72	OT63...125F6/F8	OHBS9	1SCA108665R1001	10	0.01
Black	72	72	OT63...125F6/F8	OHBS9/1	1SCA108689R1001	1	0.01
Red	72	72	OT63...125F6/F8	OHRS9	1SCA108666R1001	10	0.01
Red	72	72	OT63...125F6/F8	OHRS9/1	1SCA108690R1001	1	0.01
Handle type			Shaft through the handle			45 mm cut-out enable*	
OHBS1_ , OHRS1_			No			Yes	
OHBS12, OHRS12			Yes			Yes	
OHBS2_ , OHRS2_			No			Yes	
OHBS3_ , OHRS3_			No			Yes	
OHBS9_ , OHRS9_			No			No	

* in I-position the handle shall remain within the cut-out height

Ordering information

Accessories

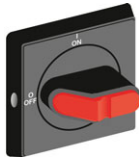
OH_1_
S00395A



OH_3_
S00697A



OH_2_
S00396A



OHBS2_AJEH



Selector type handles, for base and DIN-rail mounted switches

For shaft diameter 6 mm, door drilling 22.5 mm. The type and the ordering numbers are for one piece. Indication I-O and ON-OFF.

Colour	Suitable for switches	Type	Order number	Delivery batch [pcs]	Weight/unit [kg]
IP54 handles, NEMA 1					
Black	OT16...80F, OTDC16...32F	OHBS1AH	1SCA102680R1001	150	0.05
Red-yellow	OT16...80F, OTDC16...32F	OHYS1AH	1SCA105290R1001	150	0.05
Silver	OT16...80F, OTDC16...32F	OHSS1AH	1SCA105274R1001	150	0.05
Grey	OT16...80F, OTDC16...32F	OHGS1AH	1SCA105261R1001	150	0.05
Door interlock in ON-position					
Black	OT16...80F, OTDC16...32F	OHBS1AH1	1SCA105210R1001	150	0.05
Red-yellow	OT16...80F, OTDC16...32F	OHYS1AH1	1SCA105291R1001	150	0.05
Silver	OT16...80F, OTDC16...32F	OHSS1AH1	1SCA105275R1001	150	0.05
Grey	OT16...80F, OTDC16...32F	OHGS1AH1	1SCA105262R1001	150	0.05
Padlockable with one padlock with bail diameter 5...6.3 mm					
Black	OT16...125F, OTDC16...32F	OHBS3AH	1SCA105234R1001	150	0.05
Red-yellow	OT16...125F, OTDC16...32F	OHYS3AH	1SCA105325R1001	150	0.05
Silver	OT16...125F, OTDC16...32F	OHSS3AH	1SCA105283R1001	150	0.05
Grey	OT16...125F, OTDC16...32F	OHGS3AH	1SCA105270R1001	150	0.05
Padlockable with one padlock with bail diameter 5...6.3 mm, door interlock in ON-position					
Black	OT16...125F, OTDC16...32F	OHBS3AH1	1SCA105235R1001	150	0.05
Red-yellow	OT16...125F, OTDC16...32F	OHYS3AH1	1SCA105326R1001	150	0.05
Silver	OT16...125F, OTDC16...32F	OHSS3AH1	1SCA105284R1001	150	0.05
Grey	OT16...125F, OTDC16...32F	OHGS3AH1	1SCA105271R1001	150	0.05
IP65 handles, NEMA 1, 3R, 12					
Padlockable with max. 3 padlocks with bail diameter 5...8 mm, door interlock in ON-position, defeatable					
Black	OT16...125F, OTDC16...32F	OHBS2AJ	1SCA105213R1001	120	0.07
Red-yellow	OT16...125F, OTDC16...32F	OHYS2AJ	1SCA105296R1001	120	0.07
Silver	OT16...125F, OTDC16...32F	OHSS2AJ	1SCA105278R1001	120	0.07
Grey	OT16...125F, OTDC16...32F	OHGS2AJ	1SCA105265R1001	120	0.07
Padlockable with max. 3 padlocks with bail diameter 5...8 mm, door interlock in ON-position					
Black	OT16...125F, OTDC16...32F	OHBS2AJ1	1SCA105215R1001	120	0.07
Red-yellow	OT16...125F, OTDC16...32F	OHYS2AJ1	1SCA105297R1001	120	0.07
Silver	OT16...125F, OTDC16...32F	OHSS2AJ1	1SCA105279R1001	120	0.07
Grey	OT16...125F, OTDC16...32F	OHGS2AJ1	1SCA105266R1001	120	0.07

Selector type handle with metal hasp

IP65 handles, NEMA 1, 3R, 12

Padlockable with max. 3 padlocks, door interlock in the ON-position, defeatable

Black	OT16...125F, OTDC16...32F	OHBS2AJEH	1SCA108230R1001	120	0.07
-------	---------------------------	-----------	-----------------	-----	------

- Door interlocking in ON-position means that the door can not be opened, when the handle is in ON-position. This can be defeated in IP65 types to allow authorized personnel access for inspection.

Ordering information

Accessories

OH_1_
S00395A



Selector type handles, for door mounted switches

Indication I-O and ON-OFF. No separate shaft needed.
The type and the ordering numbers are for one piece.

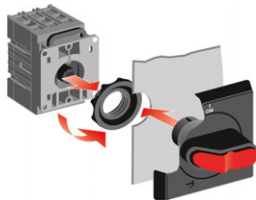
OH_3_
S00687A



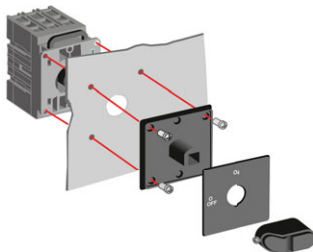
OH_2_
S00396A



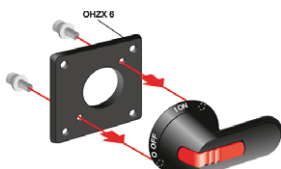
Snap-on mounting
S00268A



Screw mounting
S00267A



OHZX6
S01612A



Colour	Suitable for switches	Type	Order number	Units/ type [pcs]	Weight/ unit [kg]
--------	-----------------------	------	--------------	-------------------	-------------------

Snap-on mounting, door drilling 22,5 mm

No padlocking, IP54, NEMA 1

Black	OT16...40FT, OTDC16...32FT	OHBS1PH	1SCA105211R1001	150	0.05
Red-yellow	OT16...40FT, OTDC16...32FT	OHYS1PH	1SCA105294R1001	150	0.05
Silver	OT16...40FT, OTDC16...32FT	OHSS1PH	1SCA105276R1001	150	0.05
Grey	OT16...40FT, OTDC16...32FT	OHGS1PH	1SCA105263R1001	150	0.05

Padlockable with one padlock, IP54, NEMA 1

Black	OT16...40FT, OTDC16...32FT	OHBS3PH	1SCA105236R1001	150	0.05
Red-yellow	OT16...40FT, OTDC16...32FT	OHYS3PH	1SCA105327R1001	150	0.05
Silver	OT16...40FT, OTDC16...32FT	OHSS3PH	1SCA105285R1001	150	0.05
Grey	OT16...40FT, OTDC16...32FT	OHGS3PH	1SCA105272R1001	150	0.05

Padlockable with max. 3 padlocks, IP65, NEMA 1, 3R, 12

Black	OT16...40FT, OTDC16...32FT	OHBS2PJ	1SCA105231R1001	120	0.07
Red-yellow	OT16...40FT, OTDC16...32FT	OHYS2PJ	1SCA105322R1001	120	0.07
Silver	OT16...40FT, OTDC16...32FT	OHSS2PJ	1SCA105280R1001	120	0.07
Grey	OT16...40FT, OTDC16...32FT	OHGS2PJ	1SCA105268R1001	120	0.07

Screw mounting, hole distance 36 mm

No padlocking, IP54, NEMA 1

Black	OT16...80FT, OTDC16...32FT	OHBS1RH	1SCA105212R1001	150	0.05
Red-yellow	OT16...80FT, OTDC16...32FT	OHYS1RH	1SCA105295R1001	150	0.05
Silver	OT16...80FT, OTDC16...32FT	OHSS1RH	1SCA105277R1001	150	0.05
Grey	OT16...80FT, OTDC16...32FT	OHGS1RH	1SCA105264R1001	150	0.05

Padlockable with one padlock, IP54, NEMA 1

Black	OT16...80FT, OTDC16...32FT	OHBS3RH	1SCA105237R1001	150	0.05
Red-yellow	OT16...80FT, OTDC16...32FT	OHYS3RH	1SCA105328R1001	150	0.05
Silver	OT16...80FT, OTDC16...32FT	OHSS3RH	1SCA105286R1001	150	0.05
Grey	OT16...80FT, OTDC16...32FT	OHGS3RH	1SCA105273R1001	150	0.05

Padlockable with max. 3 padlocks, IP65, hole distance 36/48 mm, NEMA 1, 3R, 12

Black	OT16...125FT, OTDC16...32FT	OHBS2RJ	1SCA105232R1001	120	0.07
Red-yellow	OT16...125FT, OTDC16...32FT	OHYS2RJ	1SCA105323R1001	120	0.07
Silver	OT16...125FT, OTDC16...32FT	OHSS2RJ	1SCA105281R1001	120	0.07
Grey	OT16...125FT, OTDC16...32FT	OHGS2RJ	1SCA105269R1001	120	0.07

Pistol handle mounting kit for OT 100...125 FT_ switches

Pistol handle is not included

Black		OHZX6	1SCA022559R5670	10	0.01
-------	--	-------	-----------------	----	------

- Door interlocking in ON-position means that the door can not be opened, when the handle is in ON-position.
This can be defeated in IP65 types to allow authorized personnel access for inspection.

Ordering information Accessories

OZ331_B



Round padlockable handles, for base and DIN-rail mounted switches

Padlockable in 0-position, max 3 padlocks with max 8 mm hasp diameter. Indication I-O and ON-OFF

OZ331_RY



OZ371PB



Colour	Suitable for switches	Type	Order number	Delivery batch [pcs]	Weight/unit [kg]
One hole mounting handle, IP65, NEMA 4X outdoor, size 66x66					
Black	OT16...125F_	OZ331SPB	1SCA112983R1001	10	0.05
Red-yellow	OT16...125F_	OZ331SPRY	1SCA113097R1001	10	0.05
IP67, IP69K, NEMA 4X, size 66x66					
Black	OT16...125F_	OZ331P67B	1SCA111427R1001	10	0.04
Red-yellow	OT16...125F_	OZ331P67RY	1SCA111429R1001	10	0.04
Handles with door coupling in ON-position, not defeatable, IP65, NEMA 4X, size 66x66					
Shaft alignment ring for OZ371P_ handle, see page 53.					
Black	OT16...125F_	OZ371PB	1SCA111684R1001	10	0.05
Red-yellow	OT16...125F_	OZ371PRY	1SCA111685R1001	10	0.05

Ordering information

Accessories

OHY_ S00836A



Pistol type handles, for base and DIN-rail mounted switches

IP65, NEMA 1, 3R, 12, padlockable with three padlocks in OFF-position, door interlock in ON-position. Screw fixing from the back side of the handle. No screws on the front ensures double insulation. The type and the ordering numbers are for one piece.

OHB_ S00601A



OHB_ S00469A



OHB274J12 S07078



OHB_P S02195A



Colour	Handle length [mm]	Suitable for switches	Type	Order number	Delivery Weight/ batch [pcs]	unit [kg]
For shaft diameter 6 mm, indication in types OHB and OHY: I-0, ON-OFF, in types OHG: I-0						
Black	45	OT16...125F	OHB45J6	1SCA022380R8770	100	0.10
Red-yellow	45	OT16...125F	OHY45J6	1SCA022380R8930	100	0.10
Grey	45	OT16...125F	OHG45J6	1SCA022380R8850	100	0.10
Black	65	OT160EV...250	OHB65J6	1SCA022380R9660	100	0.12
Red-yellow	65	OT160EV...250	OHY65J6	1SCA022380R9820	100	0.12
Grey	65	OT160EV...250	OHG65J6	1SCA022380R9740	100	0.12
Black	80	OT160EV...250	OHB80J6	1SCA022381R0240	100	0.14
Red-yellow	80	OT160EV...250	OHY80J6	1SCA022381R0410	100	0.14
Grey	80	OT160EV...250	OHG80J6	1SCA022381R0320	100	0.14
For shaft diameter 6 mm, indication: Test-OFF-ON/Test-O-I						
Black	65	OT160EV...250	OHB65J6T	1SCA022399R8110	100	0.12
Red-yellow	65	OT160EV...250	OHY65J6T	1SCA022456R9540	100	0.12
For shaft diameter 12 mm, indication OHB and OHY: I-0, ON-OFF, in types OHG: I-0						
Black	95	OT315...400	OHB95J12	1SCA022381R0830	90	0.16
Red-yellow	95	OT315...400	OHY95J12	1SCA022381R1050	90	0.16
Grey	95	OT315...400	OHG95J12	1SCA022381R0910	90	0.16
Black	125	OT630...800	OHB125J12	1SCA022381R1560	90	0.17
Red-yellow	125	OT630...800	OHY125J12	1SCA022381R1720	90	0.17
Grey	125	OT630...800	OHG125J12	1SCA022381R1640	90	0.17
Black	145	OT630...800	OHB145J12	1SCA022381R2110	90	0.17
Red-yellow	145	OT630...800	OHY145J12	1SCA022381R2370	90	0.17
Grey	145	OT630...800	OHG145J12	1SCA022381R2290	90	0.17
Black	274	OT1000...2500	OHB274J12	1SCA115920R1001	25	0.54
Red-yellow	274	OT1000...2500	OHY274J12	1SCA115919R1001	25	0.54
Black	330	OT1000...2500	OHB330J12	1SCA115922R1001	25	0.58
Red-yellow	330	OT1000...2500	OHY330J12	1SCA115921R1001	25	0.58
Black	2x150	OT1000...2500	OHB150J12P	1SCA022865R9430	50	0.17
Red-yellow	2x150	OT1000...2500	OHY150J12P	1SCA101586R1001	50	0.17
Black	2x200	OT1000...2500	OHB200J12P	1SCA022865R9510	50	0.40
Red-yellow	2x200	OT1000...2500	OHY200J12P	1SCA101587R1001	50	0.4
Black	275	OETL3150	OHB275J12	1SCA022381R2960	90	0.2
Red-yellow	275	OETL3150	OHY275J12	1SCA022381R3180	90	0.2
Grey	275	OETL3150	OHG275J12	1SCA022381R3000	90	0.2

- Door interlocking in ON-position means that the door can not be opened, when the handle is in ON-position. This can be defeated in IP65 types to allow authorized personnel access for inspection.
- NEMA 4, 4x pistol handles available on request.
- Handles padlockable in all positions available on request.

Ordering information Accessories

Pistol type handles, for base and DIN-rail mounted switches

OHY_
S00836A



IP65, NEMA 1, 3R, 12, padlockable with three padlocks in OFF-position, door interlock in ON-position. Screw fixing from the back side of the handle. No screws on the front ensures double insulation. The type and the ordering numbers are for one piece.

OHB_
S00601A



OHB_
S00469A



OHB274J12T
S07078



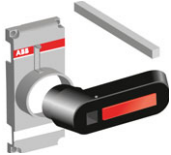
Colour	Handle length [mm]	Suitable for switches	Type	Order number	Delivery batch [pcs]	Weight/unit [kg]
For shaft diameter 12 mm, indication: Test-OFF-ON/Test-0-I						
Black	95	OT315...400	OHB95J12T	1SCA022736R1750	90	0.16
Red-yellow	95	OT315...400	OHY95J12T	1SCA022736R1910	90	0.16
Black	125	OT630...800	OHB125J12T	1SCA022652R2220	90	0.17
Red-yellow	125	OT630...800	OHY125J12T	1SCA022652R2310	90	0.17
Black	145	OT630...800	OHB145J12T	1SCA022652R2570	90	0.17
Red-yellow	145	OT630...800	OHY145J12T	1SCA022652R2650	90	0.17
Black	175	OT630...800	OHB175J12T	1SCA022708R0740	90	0.18
Red-yellow	175	OT630...800	OHY175J12T	1SCA111508R1001	90	0.18
Black	274	OT1000...2500	OHB274J12T	1SCA120250R1001	25	0.54
Black	330	OT1000...2500	OHB330J12T	1SCA120252R1001	25	0.58
Black	2x200	OT1000...2500	OHB200J12PT	1SCA106510R1001	50	0.4
Red-yellow	2x200	OT1000...2500	OHY200J12PT	1SCA111512R1001	50	0.4

- Door interlocking in ON-position means that the door can not be opened, when the handle is in ON-position. This can be defeated in IP65 types to allow authorized personnel access for inspection.
- NEMA 4, 4x pistol handles available on request.
- Handles padlockable in all positions available on request.

Ordering information

Accessories

OTV_
S01997A



Direct mounting handles for base mounted switches

Includes a shaft and a mechanism cover. Indication Test-OFF-ON/Test-O-I. Padlockable with three padlocks in OFF-position.

Colour	Handle length [mm]	Suitable for switches	Type	Order number	Units/ type [pcs]	Weight/ unit [kg]
Black	65	OT160EV...250	OTV250EK	1SCA022763R2700	1	0.10
Red-yellow	65	OT160EV...250	OTVY250EK	1SCA022772R7910	1	0.10
Black	95	OT315...400	OTV400EK	1SCA022763R2960	1	0.20
Red-yellow	95	OT315...400	OTVY400EK	1SCA022772R7830	1	0.20
Black	125	OT630...800	OTV800EK	1SCA022804R6340	1	0.30
Red-yellow	125	OT630...800	OTVY800EK	1SCA022810R2780	1	0.30
Black	274	OT1000...2500	OTV1000EK	1SCA106608R1001	1	0.75
Black	2x200	OT1000...2500	OTV1000EPK	1SCA121085R1001	1	0.90

OTV1000EK
S07100



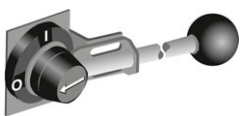
Metallic handles, for base mounted switches

OTV1000EPK
S07114



Colour	Handle length [mm]	Suitable for switches	Type	Order number	Units/ type [pcs]	Weight/ unit [kg]
For shaft diameter 12 mm, IP65, NEMA 1, 3R, 4, 4x, 12						
Indication I-0, padlockable with 3 padlocks in OFF-position, door interlock in ON-position.						
Black	220	OETL3150	YASDA7	1SCA022071R3010	1	0.68
Black	320	OT1000...2500	YASDA35	1SCA104400R1001	1	0.80
Indication ON-OFF, padlockable with 3 padlocks in OFF-position, door interlock in ON-position.						
Black	220	OETL3150	YASDA8	1SCA022071R3270	1	0.68
For shaft diameter 12 mm, IP44						
Indication I-0-II, padlockable with 3 padlocks in OFF-position, door interlock in I- and II-position.						
Black	220	OETL3150	YASDA21	1SCA022098R9420	1	0.68
Black	320	OETL3150	YASDA6	1SCA022071R2890	1	0.80

YASDA_
S00097A



Stainless steel handles, for base mounted switches

OHM_
S02140A



Stainless steel handles, indication I-O/ON-OFF, padlockable with 3 padlocks in the OFF-position, door interlock in the ON-position, IP66 (NEMA 4X).

Colour	Handle length [mm]	Type	Order number	Units/ type [pcs]	Weight/ unit [kg]
For shaft diameter 6 mm					
Grey	65	OHM65L6	1SCA022739R1070	1	0.73
For shaft diameter 12 mm					
Grey	125	OHM125L12	1SCA022739R1150	1	0.76
Grey	175	OHM175L12	1SCA022739R1230	1	0.83
Grey	275	OHM275L12	1SCA022832R4840	1	0.96
Grey	2x200	OHM200L12P	1SCA104439R1001	1	2.00

OHM_P
S03010A



- Door interlocking in ON-position means that the door can not be opened, when the handle is in ON-position. This can be defeated in IP65 types to allow authorized personnel access for inspection.

Ordering information

Accessories

OH_E00S
S07004A



Handles for side operated switch-disconnectors

For mounting on the side of the enclosure. Padlockable with three padlocks in the OFF-position, door interlock in the ON-position, IP65. The position indications are rotated 90°.

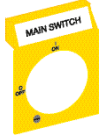
Colour	Handle length [mm]	Type	Order number	Units/ type [pcs]	Weight/ unit [kg]
For shaft diameter 6 mm, IP65, Nema type 1, 3R, 12					
Plastic handles, black and red-yellow: I-O/ON-OFF, grey: I-O.					
Black	65	OHB65J6E00S	1SCA022382R9850	1	0.12
Red-yellow	65	OHY65J6E00S	1SCA022382R9930	1	0.12
Grey	65	OHG65J6E00S	1SCA022383R4510	1	0.12
Plastic handles, black and red-yellow: Test/I-O/ON-OFF, grey: Test/I-O.					
Black	65	OHB65J6TE00S	1SCA109016R1001	1	0.12
Red-yellow	65	OHY65J6TE00S	1SCA022688R0140	1	0.12
Grey	65	OHG65J6TE00S	1SCA109014R1001	1	0.12
For shaft diameter 12 mm, IP65, Nema type 1, 3R, 12					
Plastic handles, indication I-O/ON-OFF					
Black	145	OHB145J12E00S	1SCA022679R9700	1	0.17

- Door interlocking in ON-position means that the door can not be opened, when the handle is in ON-position.
This can be defeated in IP65 types to allow authorized personnel access for inspection.

Ordering information

Accessories

OPY_
S00657A



OPB3I, OPY3
S01433A



OPX3
S01434A



OPB3 + OPX3 + OH_
S01435A



Legend plates

Legend plates for selector type handles

Colour	Type	Order number	Units/ type [pcs]	Weight/ unit [kg]
Plain plates for OH 1_ and OH 3_handles.				
Black	OPBS1	1SCA111519R1001	1	0.01
Yellow	OPYS1	1SCA111528R1001	1	0.01
Silver	OPSS1	1SCA111523R1001	1	0.01
Grey	OPGS1	1SCA111563R1001	1	0.01
Plain plates for OH 2_ handles.				
Black	OPB2	1SCA022353R4110	1	0.01
Yellow	OPY2	1SCA022353R4200	1	0.01
Silver	OPS2	1SCA022353R4460	1	0.01
Grey	OPG2	1SCA022353R4380	1	0.01
Printed plates for OH 1_ and OH3_ handles. Text: MAIN SWITCH.				
Black	OPBS1EN1	1SCA111520R1001	1	0.01
Yellow	OPYS1EN1	1SCA111530R1001	1	0.01
Silver	OPSS1EN1	1SCA111525R1001	1	0.01
Grey	OPGS1EN1	1SCA111526R1001	1	0.01
Printed plates for OH 2_ handles. Text: MAIN SWITCH.				
Black	OPB2EN1	1SCA022400R2070	1	0.01
Yellow	OPY2EN1	1SCA022400R2740	1	0.01
Silver	OPS2EN1	1SCA022400R2230	1	0.01
Grey	OPG2EN1	1SCA022400R2310	1	0.01

Legend plates for pistol type handles

Colour	Text	Type	Order number	Units/ type [pcs]	Weight/ unit [kg]
Holder					
Black		OPB3	1SCA022679R3410	1	0.01
Yellow		OPY3	1SCA022695R0450	1	0.01
Lettering plate suitable for holder					
Silver	Blanco	OPX3	1SCA022679R3500	1	0.01
Silver	Pääkytkin	OPX3F1	1SCA022695R0530	1	0.01
Silver	Main Switch	OPX3EN1	1SCA022695R0610	1	0.01
Silver	Hauptschalter	OPX3DE1	1SCA022695R0700	1	0.01
Silver	Huvudbrytare	OPX3SE1	1SCA022695R0880	1	0.01
Silver	Customer's own text	OPX3/TEXT	1SCA022696R6370	1	0.01

Ordering information Accessories

ST
S00881A



Handle support bracket for OETL3150

For direct mounting the handles on the switch mechanism. The shaft delivered with the switch can be used.

Suitable for switches	Type	Order number	Units/ Weight/	
			type [pcs]	unit [kg]
OETL3150	OETLZX71	1SCA022068R2700	1	0.40

Labelling accessories

Suitable for OT63F, OT80F, OT100F and OT125F.

Description	Type	Order number	Units/ Weight/	
			type [pcs]	unit [kg]
Label carrier, snap-on fixing	ST	1SCA022407R8210	10	0.01
Description label, in a sheet 250 labels	ST-E	1SCA022407R8300	1	0.01

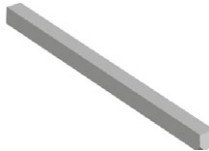
Ordering information

Accessories

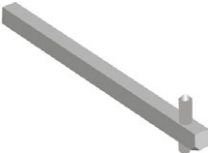
OXS6X_
S01026A



OX6X_
S04118



OSP6X_
S00050A



Shafts

The type and ordering numbers are for one piece

Shaft length [mm]	H [mm]	Suitable for switches	Type	Order number	Delivery batch [pcs]	Weight/unit [kg]
For selector type handles, shaft diameter 6 mm						
85	See dimension drawings	OT16...125F, OTDC16...32F	OXS6X85	1SCA101647R1001	10	0.02
105		OT16...125F, OTDC16...32F	OXS6X105	1SCA108043R1001	10	0.02
120		OT16...125F, OTDC16...32F	OXS6X120	1SCA101654R1001	10	0.03
130		OT16...125F, OTDC16...32F	OXS6X130	1SCA101655R1001	10	0.03
160		OT16...125F, OTDC16...32F	OXS6X160	1SCA101656R1001	10	0.04
180		OT16...125F	OXS6X180	1SCA101659R1001	10	0.04
250		OT16...125F	OXS6X250	1SCA101660R1001	10	0.05
330		OT16...125F	OXS6X330	1SCA101661R1001	10	0.05
For round padlockable type handles, shaft diameter 6 mm						
60	See dimension drawings	OT16...125F	OX6X60	1SCA111459R1001	10	0.02
85		OT16...125F	OX6X85	1SCA111274R1001	10	0.02
105		OT16...125F	OX6X105	1SCA111930R1001	10	0.02
115		OT16...125F	OX6X115	1SCA111931R1001	10	0.03
130		OT16...125F	OX6X130	1SCA111460R1001	10	0.03
155		OT16...125F	OX6X155	1SCA111275R1001	10	0.04
200		OT16...125F	OX6X200	1SCA111932R1001	10	0.04
300		OT16...125F	OX6X300	1SCA111933R1001	10	0.05
For pistol type handles, shaft diameter 6 mm.						
150	See dimension drawings	OT16...125F	OSP6X150	1SCA022295R5600	10	0.05
170		OT16...125F	OSP6X170	1SCA108224R1001	10	0.05
265		OT16...125F	OSP6X265	1SCA108225R1001	10	0.08
400		OT16...125F	OSP6X400	1SCA108226R1001	10	0.12
Shaft diameter 6 mm ¹⁾						
130	109...174	OT160EV...250	OSP6X130	1SCA022057R0570	10	0.04
150	129...194	OT160EV...250	OSP6X150	1SCA022295R5600	10	0.05
161	140...205	OT160EV...250	OSP6X161	1SCA022067R1760	10	0.05
210	189...254	OT160EV...250	OSP6X210	1SCA022295R6080	10	0.06
290	269...334	OT160EV...250	OSP6X290	1SCA022042R6370	10	0.08

¹⁾ Longer shafts on request