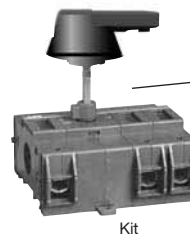




Complete switches Non-fusible disconnect switches 16A – 2000A, 600V, 3 pole^①

Each kit includes:
1 three pole^① switch
1 handle
1 shaft



handle
shaft^②
switch
terminal lug kit^③

Complete switches, base & DIN rail mounted, selector handles

CSA general purpose amp rating	CSA standard C22.2 No.	Maximum horsepower rating							Complete switches catalog number	List price
		Single phase			Three phase					
		120V	240V	200V – 208V	240V	480V	600V			
20	14	1	2	3	5	10	10	OT16F3S		
30	14	1.5	3	7.5	7.5	15	20	OT25F3S		
40	14	2	5	10	10	20	25	OT40F3S		
60	14	2	7.5	15	15	30	30	OT63F3S		
80	14	2	10	20	20	40	40	OT80F3S		
30	4	2	5	10	10	20	30	OT30F3S		
60	4	3	7.5	20	20	40	40	OT60F3S		
100	4	5	15	25	30	50	50	OT100F3S		

Complete switches, base & DIN rail mounted, pistol handles[®]

CSA general purpose amp rating	CSA standard C22.2 No.	Maximum horsepower rating							Complete switches catalog number	List price
		Single phase		Three phase						
		120V	240V	200V – 208V	240V	480V	600V			
20	14	1	2	3	5	10	10	OT16F3P		
30	14	1.5	3	7.5	7.5	15	20	OT25F3P		
40	14	2	5	10	10	20	25	OT40F3P		
60	14	2	7.5	15	15	30	30	OT63F3P		
80	14	2	10	20	20	40	40	OT80F3P		
30	4	2	5	10	10	20	30	OT30F3P		
60	4	3	7.5	20	20	40	40	OT60F3P		
100	4	5	15	25	30	50	50	OT100F3P		
125	4	7.5	20	30	40	75	100	OT160E3P		
200	4	—	40	60	75	150	200	OT200U03P [®]		
400	4	—	—	100	125	250	350	OT400U03P [®]		
600	4	—	—	150	200	400	500	OT600U03P [®]		
800	4	—	—	200	250	500	500	OT800U03P [®]		
1200	4	—	—	—	—	—	—	OT1200U03P [®]		
1600	4	—	—	—	—	—	—	OETL-NF1600P [®]		
2000	4	—	—	—	—	—	—	OETL-NF2000P [®]		

Complete switches, door mounted

CSA general purpose amp rating	CSA standard C22.2 No.	Maximum horsepower rating							Complete switches catalog number	List price
		Single phase		Three phase						
		120V	240V	200V – 208V	240V	480V	600V			
20	14	1	2	3	5	10	10	OT16FT3S		
30	14	1.5	3	7.5	7.5	15	20	OT25FT3S		
40	14	2	5	10	10	20	25	OT40FT3S		
60	14	2	7.5	15	15	30	30	OT63FT3S		
80	14	2	10	20	20	40	40	OT80FT3S		
30	4	2	5	10	10	20	30	OT30FT3S		
60	4	3	7.5	20	20	40	40	OT60FT3S		
100	4	5	15	25	30	50	50	OT100FT3S		
30	4	2	5	10	10	20	30	OT30FT3P		
60	4	3	7.5	20	20	40	40	OT60FT3P		
100	4	5	15	25	30	50	50	OT100FT3P		
125	4	7.5	20	30	40	75	100	OT160ET3		

① Four poles are available — please refer to accessories page.

② Shaft is not required with door mounted switch, except OT160ET3.

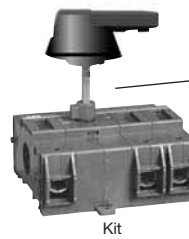
③ Terminal lug kit are sold separately, see accessories page 1.21.

④ Maximum operating voltage 480V.

Components list for non-fusible disconnect switches 16A – 2000A, 600V, 3 pole^①



Each kit includes:
1 three pole^① switch
1 handle
1 shaft



handle^②
shaft
switch
terminal lug kit^③

Components for base & DIN rail mounted switches with selector handles

Complete switches catalog number	Switch		Handle ^②			Shaft			Terminal lugs ^③		
	Catalog number	NEMA type	Marking	De-feat-able	Catalog number	Mounting depth ^③ (mm)	Length (mm)	Catalog number	Wire size	Wire type	Catalog number
OT16F3S	OT16F3	1,3R,12	O/I & OFF/ON	Y	OHBS2AJ	190 – 205	180	OXS6X180	#18 – #8	Cu	Integral
OT25F3S	OT25F3	1,3R,12	O/I & OFF/ON	Y	OHBS2AJ	190 – 205	180	OXS6X180	#18 – #8	Cu	Integral
OT40F3S	OT40F3	1,3R,12	O/I & OFF/ON	Y	OHBS2AJ	190 – 205	180	OXS6X180	#18 – #8	Cu	Integral
OT63F3S	OT63F3	1,3R,12	O/I & OFF/ON	Y	OHBS2AJ	205 – 220	180	OXS6X180	#14 – #1	Cu	Integral
OT80F3S	OT80F3	1,3R,12	O/I & OFF/ON	Y	OHBS2AJ	205 – 220	180	OXS6X180	#14 – #1	Cu	Integral
OT30F3S	OT30F3	1,3R,12	O/I & OFF/ON	Y	OHBS2AJ	212.5 – 215	180	OXS6X180	#14 – #4	Cu	Integral
OT60F3S	OT60F3	1,3R,12	O/I & OFF/ON	Y	OHBS2AJ	212.5 – 215	180	OXS6X180	#14 – #4	Cu	Integral
OT100F3S	OT100F3	1,3R,12	O/I & OFF/ON	Y	OHBS2AJ	212.5 – 215	180	OXS6X180	#8 – 1/0	Cu	Integral

Components for base & DIN rail mounted switches with pistol handles

Complete switches catalog number	Switch		Handle ^②			Shaft			Terminal lugs ^③		
	Catalog number	NEMA type	Marking	De-feat-able	Catalog number	Mounting depth ^③ (mm)	Length (mm)	Catalog number	Wire size	Wire type	Catalog number
OT16F3P	OT16F3	1,3R,12	O/I & OFF/ON	Y	OHB65J6	175 – 190	170	OSP6X170	#18 – #8	Cu	Integral
OT25F3P	OT25F3	1,3R,12	O/I & OFF/ON	Y	OHB65J6	175 – 190	170	OSP6X170	#18 – #8	Cu	Integral
OT40F3P	OT40F3	1,3R,12	O/I & OFF/ON	Y	OHB65J6	175 – 190	170	OSP6X170	#18 – #8	Cu	Integral
OT63F3P	OT63F3	1,3R,12	O/I & OFF/ON	Y	OHB65J6	195 – 205	170	OSP6X170	#14 – #1	Cu	Integral
OT80F3P	OT80F3	1,3R,12	O/I & OFF/ON	Y	OHB65J6	195 – 205	170	OSP6X170	#14 – #1	Cu	Integral
OT30F3P	OT30F3	1,3R,12	O/I & OFF/ON	Y	OHB65J6	197.5 – 205	170	OSP6X170	#14 – #4	Cu	Integral
OT60F3P	OT60F3	1,3R,12	O/I & OFF/ON	Y	OHB65J6	197.5 – 205	170	OSP6X170	#14 – #4	Cu	Integral
OT100F3P	OT100F3	1,3R,12	O/I & OFF/ON	Y	OHB65J6	197.5 – 205	210	OSP6X210	#8 – 1/0	Cu	Integral
OT160E3P	OT160E3	1,3R,12	O/I & OFF/ON	Y	OHB65J6	185 – 215	210	OSP6X210	#8 – 1/0	Cu	Integral
OT200U03P	OT200U03	1,3R,12	O/I & OFF/ON	Y	OHB80J6	220 – 320	210	OSP6X210	#4 – 300 kcmil	Cu/Al	OZXA-200
OT400U03P	OT400U03	1,3R,12	O/I & OFF/ON	Y	OHB145J12	260 – 370	280	OSP12X280	#2 – 600 kcmil	Cu/Al	OZXA-400
OT600U03P	OT600U03	1,3R,12	O/I & OFF/ON	Y	OHB145J12	260 – 370	280	OSP12X280	(2)#2 – 600 kcmil	Cu/Al	OZXA-800
OT800U03P	OT800U03	1,3R,12	O/I & OFF/ON	Y	OHB274J12	295 – 390	280	OSP12X280	(4)#2 – 600 kcmil	Cu/Al	OZXA-1200
OT1200U03P	OT1200U03	1,3R,12	O/I & OFF/ON	Y	OHB274J12	295 – 390	280	OSP12X280	(4)#2 – 600 kcmil	Cu/Al	OZXA-1200
OETL-NF1600P	OETL-NF1600	1,3R,4,4X,12	OFF/ON	—	YASDA-8	340 – 585	325	OSP12X325	(4)#1/0 – 750 kcmil	Cu/Al	OZXA-28
OETL-NF2000P	OETL-NF2000	1,3R,4,4X,12	OFF/ON	—	YASDA-8	340 – 585	325	OSP12X325	(6)#1/0 – 750 kcmil	Cu/Al	OZXA-28/2

Components for door mounted switches

Complete switches catalog number	Switch		Handle ^②			Shaft			Terminal lugs ^③		
	Catalog number	NEMA type	Marking	De-feat-able	Catalog number	Mounting depth (mm)	Length (mm)	Catalog number	Wire size	Wire type	Catalog number
OT16FT3S	OT16FT3	1,3R,12	O/I & OFF/ON	—	OHBS2PJ	—	No shaft required		#18 – #8	Cu	Integral
OT25FT3S	OT25FT3	1,3R,12	O/I & OFF/ON	—	OHBS2PJ				#18 – #8	Cu	Integral
OT40FT3S	OT40FT3	1,3R,12	O/I & OFF/ON	—	OHBS2PJ				#18 – #8	Cu	Integral
OT63FT3S	OT63FT3	1,3R,12	O/I & OFF/ON	—	OHBS2RJ	—	No shaft required		#14 – #1	Cu	Integral
OT80FT3S	OT80FT3	1,3R,12	O/I & OFF/ON	—	OHBS2RJ				#14 – #1	Cu	Integral
OT30FT3S	OT30FT3	1,3R,12	O/I & OFF/ON	—	OHBS2RJ	—	No shaft required		#14 – #4	Cu	Integral
OT60FT3S	OT60FT3	1,3R,12	O/I & OFF/ON	—	OHBS2RJ				#14 – #4	Cu	Integral
OT100FT3S	OT100FT3	1,3R,12	O/I & OFF/ON	—	OHBS2RJ				#8 – #1/0	Cu	Integral
OT30FT3P	OT30FT3	1,3R,12	O/I & OFF/ON	—	OHB65J6	—	Include OHZX6 adapter		#14 – #4	Cu	Integral
OT60FT3P	OT60FT3	1,3R,12	O/I & OFF/ON	—	OHB65J6				#14 – #4	Cu	Integral
OT100FT3P	OT100FT3	1,3R,12	O/I & OFF/ON	—	OHB65J6				#8 – 1/0	Cu	Integral
OT160ET3	OT160ET3-2	1,3R,12	O/I & OFF/ON	—	OHB65J6	—	130	OSP6X130	#8 – 1/0	Cu	Integral

①Other pole configurations available; please see individual components.

②All handles are black and accept three padlocks. For other handles please see individual components.

③Terminal lug kit for OT/OETL switches are sold separately, see accessories page 1.21.

④Mounting depth is the distance from the outside of door to the disconnect switch mounting plate. Shaft can be cut to desired length.



16A – 80A

Manual motor controllers

Base & DIN rail mounted, door mounted

For a complete assembly, please select one of each:

- 1 switch
- 1 handle
- 1 shaft^①



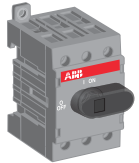
OT40F3



OXPEX210



OHB65J6



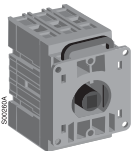
OT16-OT40F3



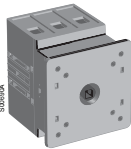
OT63-80F3



OT16F6



OT16-OT40FT3



OT63-OT80FT3

Base and DIN rail mounted, 16 – 80 Amp switches, 600V, 3 pole^②

CSA general purpose amp rating	CSA standard C22.2 No.	Maximum horsepower rating						Terminal lugs		Catalog number	List price
		Single phase		Three phase				Wire size	Wire type		
		120V	240V	200V	240V	480V	600V				
20	14	1	2	3	5	10	10	#18 – #8	Cu	OT16F3 OT25F3 OT40F3	
30	14	1.5	3	7.5	7.5	15	20				
40	14	2	5	10	10	20	25				
60	14	2	7.5	15	15	30	30	#14 – #1	Cu	OT63F3 OT80F3	
80	14	2	10	20	20	40	40				

16 – 80 Amp switches- 600V, 6 pole

CSA general purpose amp rating	CSA standard C22.2 No.	Maximum horsepower rating						Terminal lugs		Catalog number	List price
		Single phase		Three phase				Wire size	Wire type		
		120V	240V	200V	240V	480V	600V				
20	14	1	2	3	5	10	10	#18 – #8	Cu	OT16F6 OT25F6 OT40F6	
30	14	1.5	3	7.5	7.5	15	20				
40	14	2	5	10	10	20	25				
60	14	2	7.5	15	15	30	30	#14 – #1	Cu	OT63F6 OT80F6	
80	14	2	10	20	20	40	40				

16 – 80 Amp switches- 600V, 3 pole change-over switches

CSA general purpose amp rating	CSA standard C22.2 No.	Maximum horsepower ratings						Terminal lugs		Catalog number	List price
		Single phase		Three phase				Wire size	Wire type		
		120V	240V	200V	240V	480V	600V				
20	14	1	2	3	5	10	10	#18 – #8	Cu	OT16F3C OT25F3C OT40F3C	
30	14	1.5	3	7.5	7.5	15	20				
40	14	2	5	10	10	20	25				
60	14	2	7.5	15	15	30	30	#14 – #1	Cu	OT63F3C OT80F3C	
80	14	2	10	20	20	40	40				

Door mounted, 16 – 80 Amp switches, 600V, 3 pole^{①②}

CSA general purpose amp rating	CSA standard C22.2 No.	Maximum horsepower rating						Terminal lugs		Catalog number	List price
		Single phase		Three phase				Wire size	Wire type		
		120V	240V	200V	240V	480V	600V				
20	14	1	2	3	5	10	10	#18 – #8	Cu	OT16FT3 OT25FT3 OT40FT3	
30	14	1.5	3	7.5	7.5	15	20				
40	14	2	5	10	10	20	25				
60	14	2	7.5	15	15	30	30	#14 – #1	Cu	OT63FT3 OT80FT3	
80	14	2	10	20	20	40	40				

① Door mounted switches do not require shafts
 ② A snap on fourth pole may be added — please reference accessories pg 1.14.

30A – 125A

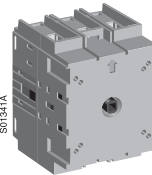
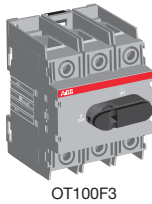
Non-fusible disconnect switches

Base & DIN rail mounted, door mounted

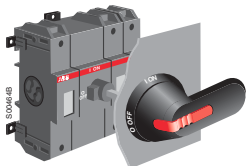


For a complete assembly,
please select one of each:

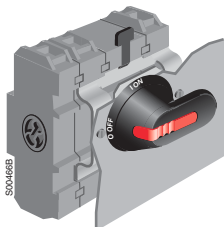
- 1 switch
- 1 handle
- 1 shaft^①



OT100FT3



OT160E3



OT160ET3

Base and DIN rail mounted, 30 – 100 Amp switches, 600V, 3 pole^②

CSA general purpose amp rating	CSA standard C22.2 No.	Maximum horsepower rating						Terminal lugs		Catalog number	List price
		Single phase		Three phase				Wire size	Wire type		
		120V	240V	200V	240V	480V	600V				
30	4	2	5	10	10	20	30	#14 – #4	Cu	OT30F3 OT60F3 OT100F3	
60	4	3	7.5	20	20	40	40	#14 – #4			
100	4	5	15	25	30	50	50	#8 – 1/0			

30 – 100 Amp switches- 600V, 6 pole

CSA general purpose amp rating	CSA standard C22.2 No.	Maximum horsepower rating						Terminal lugs		Catalog number	List price
		Single phase		Three phase				Wire size	Wire type		
		120V	240V	200V	240V	480V	600V				
30	4	2	5	10	10	20	30	#14 – #4	Cu	OT30F6 OT60F6 OT100F6	
60	4	3	7.5	20	20	40	40	#14 – #4			
100	4	5	15	25	30	50	50	#8 – 1/0			

30 – 100 Amp switches- 600V, 3 pole change-over switches

CSA general purpose amp rating	CSA standard C22.2 No.	Maximum horsepower ratings						Terminal lugs		Catalog number	List price
		Single phase		Three phase				Wire size	Wire type		
		120V	240V	200V	240V	480V	600V				
30	4	2	5	10	10	20	30	#14 – #4	Cu	OT30F3C OT60F3C OT100F3C	
60	4	3	7.5	20	20	40	40	#14 – #4			
100	4	5	15	25	30	50	50	#8 – 1/0			

Door mounted, 30 – 100 Amp switches, 600V, 3 pole^{①②}

CSA general purpose amp rating	CSA standard C22.2 No.	Maximum horsepower rating						Terminal lugs		Catalog number	List price
		Single phase		Three phase				Wire size	Wire type		
		120V	240V	200V	240V	480V	600V				
30	4	2	5	10	10	20	30	#14 – #4	Cu	OT30FT3 OT60FT3 OT100FT3	
60	4	3	7.5	20	20	40	40	#14 – #4			
100	4	5	15	25	30	50	50	#8 – 1/0			

Base & DIN rail mounted, 125 Amp switches, 600V

CSA general purpose amp rating	CSA standard C22.2 No.	Maximum horsepower rating						Terminal lugs		Catalog number	List price
		Single phase		Three phase				Wire size	Wire type		
		120V	240V	200V	240V	480V	600V				
2 pole 125	4	—	—	—	—	—	—	#8 – 1/0	Cu	OT160E2	
3 pole 125	4	7.5	20	30	40	75	100	#8 – 1/0			

125 Amp Door mounted switch, 600V, 3 pole

CSA general purpose amp rating	CSA standard C22.2 No.	Maximum horsepower rating						Terminal lugs		Catalog number	List price
		Single phase		Three phase				Wire size	Wire type		
		120V	240V	200V	240V	480V	600V				
125	4	7.5	20	30	40	75	100	#8 – 1/0	Cu	OT160ET3	

① Door mounted switches do not require shafts, except OT160ET3-2
 ② A snap on fourth pole may be added — please reference accessories pg 1.14.



Handles for 16A – 125A non-fusible disconnect switches Base & DIN rail mounted



Selector handles — for use with shafts (□ 6 x 6 mm) base-mount switches

NEMA type	IEC type	Color	Marking	Defeatable	Padlockable	Dim. (mm ²)	Catalog number	List price
All marked both O/I & Off/On								
1	IP54	Blk	O/I & OFF/ON	—	Yes	48	OHBS3AH1 ^①	
1	IP54	Red/Yel	O/I & OFF/ON	—	Yes	48	OHYS3AH1 ^①	
1, 3R,12	IP65	Blk	O/I & OFF/ON	Yes	Yes	65	OHBS2AJ	
1, 3R,12	IP65	Grey	O/I & OFF/ON	Yes	Yes	65	OHGS2AJ	
1, 3R,12	IP65	Red/Yel	O/I & OFF/ON	Yes	Yes	65	OHYS2AJ	
1, 3R,12	IP65	Blk	I / O / II	Yes	Yes	65	OHBS2AJE011	
1, 3R,12	IP65	Red/Yel	I / O / II	Yes	Yes	65	OHYS2AJE011	
1, 3R,12	IP65	SS HASP	O/I & OFF/ON	Yes	Yes	65	OHBS2AJEH	

Round Padlockable handles base-mount switches

Padlockable in 0-position, max 3 padlocks with max 8 mm hasp diameter.

NEMA type	IEC type	Color	Marking	Defeatable	Padlockable	Dim. (mm ²)	Catalog number	List price
NEMA 4X	IP65	Black	OFF/ON	Yes	Yes	66x66	OZ331PB	
NEMA 4X	IP65	Red/Yel	OFF/ON	Yes	Yes	66x66	OZ331PRY	
NEMA 4X	IP69K	Black	O/I & OFF/ON	Yes	Yes	66x66	OZ331P67B	
NEMA 4X	IP69K	Red/Yel	O/I & OFF/ON	Yes	Yes	66x66	OZ331P67RY	
Handles with door coupling in ON-position								
NEMA 4X	IP65	Black	OFF/ON	No	Yes	66x66	OZ371PB	
NEMA 4X	IP65	Red/Yel	OFF/ON	No	Yes	66x66	OZ371PRY	

Selector handles, Door mounted switches

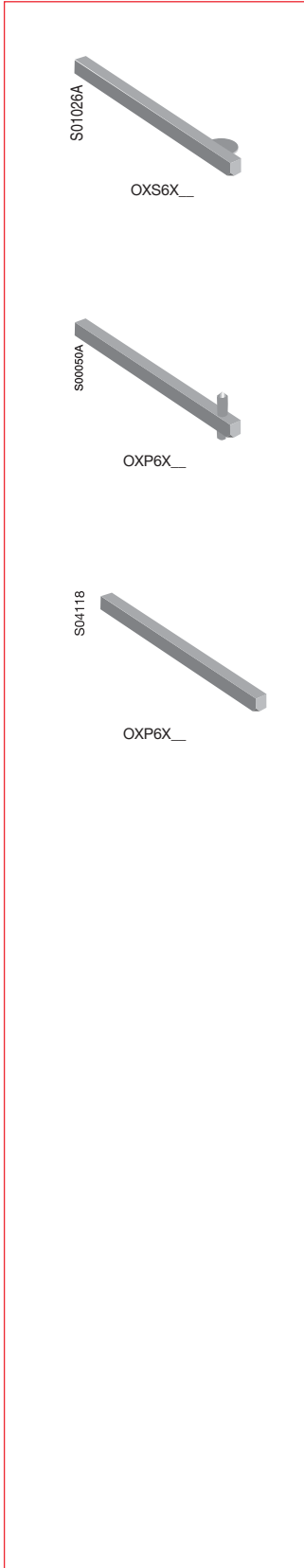
NEMA type	IEC type	Color	Marking	Defeatable	Padlockable	Dim. (mm ²)	Catalog number	List price
All marked both O/I & Off/On								
Snap-on mounting — for use on OT16FT3 – OT40FT3								
1	IP54	Blk	O/I & OFF/ON	—	Yes	48	OHBS3PH	
1	IP54	Red/Yel	O/I & OFF/ON	—	Yes	48	OHYS3PH	
1,3R,12	IP65	Blk	O/I & OFF/ON	—	Yes	65	OHBS2PJ	
1,3R,12	IP65	Red/Yel	O/I & OFF/ON	—	Yes	65	OHYS2PJ	
1, 3R,12	IP65	SS HASP	O/I & OFF/ON	—	Yes	65	OHBS2PJEH	
Screw mounting — for use on OT16FT3 – OT100FT3								
1	IP54	Blk	O/I & OFF/ON	—	Yes	48	OHBS3RH	
1	IP54	Red/Yel	O/I & OFF/ON	—	Yes	48	OHYS3RH	
1,3R,12	IP65	Blk	O/I & OFF/ON	—	Yes	65	OHBS2RJ ^②	
1,3R,12	IP65	Red/Yel	O/I & OFF/ON	—	Yes	65	OHYS2RJ ^②	

Pistol handles — for use with shafts (□ 6 x 6 mm) ^③ padlockable with three padlocks in OFF-position, door interlock in ON-position.

NEMA type	IEC type	Color	Marking	Defeatable	Padlockable	Shaft size (mm ²)	Catalog number	List price
1, 3R, 12	IP65	Black	O/I & Off/On	Yes	Yes	6	OHB45J6	
		Red/Yel	O/I & Off/On	Yes	Yes	6	OHY45J6	
		Black	O/I & Off/On	Yes	Yes	6	OHB65J6	
		Grey	O/I & Off/On	Yes	Yes	6	OHG65J6	
		Red/Yel	O/I & Off/On	Yes	Yes	6	OHY65J6	
		Black	O/I & Off/On	Yes	Yes	6	OHB80J6	
		Grey	O/I & Off/On	Yes	Yes	6	OHG80J6	
		Red/Yel	O/I & Off/On	Yes	Yes	6	OHY80J6	
1, 3R, 4, 4X,12	IP66	Black	O/I & Off/On	Yes	Yes	6	OHB65L6	
		Red/Yel	O/I & Off/On	Yes	Yes	6	OHY65L6	
		Black	O/I & Off/On	Yes	Yes	6	OHB80L6	
		Red/Yel	O/I & Off/On	Yes	Yes	6	OHY80L6	
1, 3R, 4, 4X,12	IP65	SS	O/I & Off/On	Yes	Yes	6	OHM65L6	
1, 3R, 12	IP65	Black	I / O / II	Yes	Yes	6	OHB65J6E011	
		Red/Yel	I / O / II	Yes	Yes	6	OHY65J6E011	
1, 3R, 4, 4x, 12	IP66	Black	I / O / II	Yes	Yes	6	OHB65L6E011	
		Red/Yel	I / O / II	Yes	Yes	6	OHY65L6E011	

① Not suitable for use with OT30F3, OT60F3, OT100F3
 ② Suitable for OT30, 60, 100FT as well
 ③ Plastic pistol grip handle with stainless steel hasp, add suffix EH. ex.: OHB65J6EH

Shafts for 16A – 125A non-fusible disconnect switches Base & DIN rail mounted



Shafts — for use with OH selector handles (□ 6 x 6 mm)



Mounting depth[Ⓢ] in mm

Shaft length (mm)	OT16F3 OT25F3 OT40F3		OT63F3 OT80F3		OT30F3 OT60F3 OT100F3	Catalog number	List price
	OH_3_	OH_2_	OH_3	OH_2_	OH_2_		
85	105 – 125	90 – 110	125 – 140	110 – 125	100 – 125	OXS6X85 OXS6X130 OXS6X180 OXS6X250 OXS6X330 OXS6X455	
130	150 – 170	135 – 155	170 – 185	155 – 170	145 – 170		
180	200 – 220	185 – 205	220 – 235	205 – 220	195 – 220		
250	270 – 290	255 – 275	290 – 305	275 – 290	265 – 290		
330	350 – 370	335 – 355	370 – 385	355 – 370	345 – 370		
455	475 – 495	460 – 480	495 – 510	480 – 495	470 – 495		

Shafts — for use with pistol handles (□ 6 x 6 mm)



Mounting depth[Ⓢ] in mm

Shaft length (mm)	OT16F3 OT25F3 OT40F3	OT63F3 OT80F3	OT30F3 OT60F3 OT100F3	Catalog number	List price
150	155 – 170	175 – 185	160 – 185	OXP6X150	
170	175 – 190	195 – 205	180 – 205	OXP6X170	
265	270 – 285	290 – 300	275 – 300	OXP6X265	
400	405 – 420	425 – 435	410 – 435	OXP6X400	
500	505 – 520	525 – 535	510 – 535	OXP6X500	
700	705 – 720	725 – 735	710 – 735	OXP6X700	

Shafts — For round padlockable type handles. Shaft diameter 6 mm

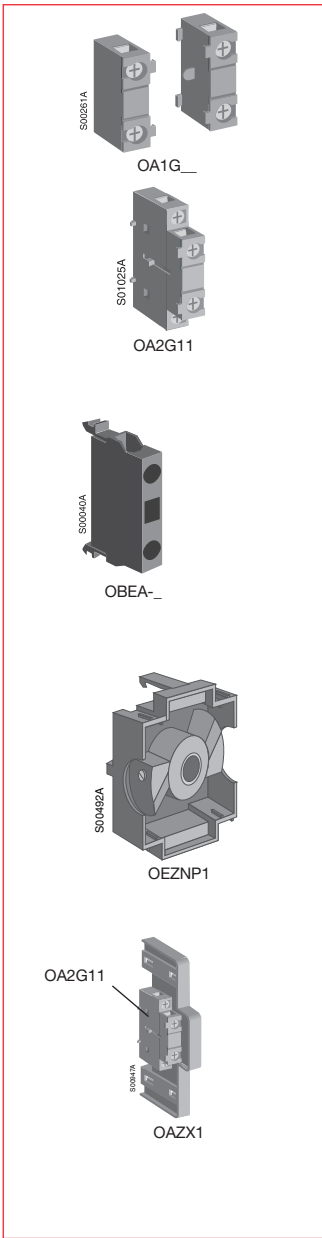
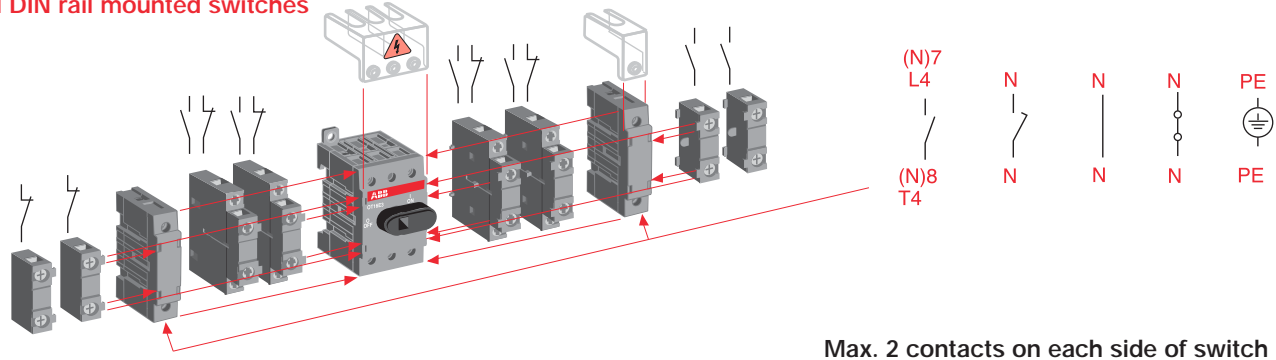
Shaft length (mm)	suitable for switches	Catalog number	List price
60	OT16...100F	OX6X60	
85	OT16...100F	OX6X85	
105	OT16...100F	OX6X105	
115	OT16...100F	OX6X115	
130	OT16...100F	OX6X130	
155	OT16...100F	OX6X155	
200	OT16...100F	OX6X200	
300	OT16...100F	OX6X300	

Ⓢ Mounting depth is the distance from the outside of door to the disconnect switch mounting plate. Shaft can be cut to desired length.



Accessories for 16A – 125A non-fusible disconnect switches Base & DIN rail mounted, door mounted

Base and DIN rail mounted switches



Auxiliary contacts — snap-on mounting

Description	For use on:	AC thermal amp rating	AC rated voltage	Catalog number	List price
1 N.O. mounts on right side (2 max)	OT16F(T)3 - OT100F(T)3 OT16F3C - OT100F3C	10	600	OA1G10	
1 N.O. Gold plated	OT16F(T)3 - OT100F(T)3	10	600	OA1G10AU	
1 N.O. mounts on left side (2 max)	OT16F3C - OT100F3C	10	600	OA7G10	
1 N.C. mounts on left side (2 max)	OT16F(T)3 - OT100F(T)3 OT16F3C - OT100F3C	10	600	OA1G01	
1 N.C. Gold plated	OT16F(T)3 - OT100F(T)3	10	600	OA1G01AU	
1 N.C. mounts on right side (2 max)	OT16F3C - OT100F3C	10	600	OA8G01	
1 N.O. + 1 N.C. mounts on left or right hand side of switch	OT16F3 - OT100F3	10	600	OA2G11 ^①	

① OT16_40: max. 2NO+2NC, OT63...100: max 4NO+4NC

Auxiliary contacts top mounted^②

- OEZNP1 mounting base required to mount auxiliary contacts (order separately) max 6 aux. blocks. Early break type

Description	For use on:	AC thermal amp rating	AC rated voltage	Catalog number	List price
1 N.O.	OT160E3	10	600	OBEA10	
1 N.C.		10	600	OBEA01	
1 N.O. gold plated		10	600	OBEA-10AU	
1 N.C. gold plated		10	600	OBEA-01AU	
Mounting base on top	OBEA_			OEZNP1	

Auxiliary contacts side mounted^②

- Accepts four contacts maximum (2 blocks/side)

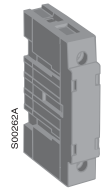
Description	For use on:	AC thermal amp rating	AC rated voltage	Catalog number	List price
1 N.O. + 1 N.C.	OT160E3	10	600	OA2G11	
	Mounting base required for OA2G11			OAZX1	

② When using OBEA_ auxiliary contacts, mounting base OEZNP1 is required, and when using OA2G11, mounting base OAZX1 is required.

Accessories

for 16A – 125A non-fusible disconnect switches

Base & DIN rail mounted, door mounted



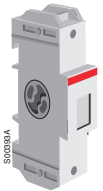
OTP_40_



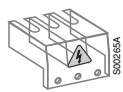
OTP_80_



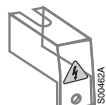
OTP_125_



OTP_160EP



OTS_T3



OTS_T1

Power poles — Only one power pole per switch, mounts on left or right side of switch

Description	For use on:	AC thermal amp rating	AC rated voltage	Catalog number	List price
 Fourth pole	OT16F3 – OT40F3	40	600	OTPS40FPN1*	
	OT16F3 – OT40F3	40	600	OTPS40FPN2*	
	OT63F3 – OT80F3	80	600	OTPS80FP	
	OT30F3 – OT60F3	60	600	OTPS60FP	
	OT100F3 OT160E3, ET3	100 125	600 600	OTPS125FP OTPS160EP	
 Late-break/early-make	OT16F3 – OT40F3	40	600	OTPL40FP	
	OT63F3 – OT80F3	80	600	OTPL80FP	
	OT30F3, OT60F3	60	600	OTPL60FP	
	OT100F3	100	600	OTPL125FP	
 Fourth pole	OT16FT3 – OT40FT3	40	600	OTPS40FDN1	
	OT16FT3 – OT40FT3	40	600	OTPS40FDN2	
	OT63FT3 – OT80FT3	80	600	OTPS80FD	
	OT30FT3, OT60FT3	60	600	OTPS60FD	
	OT100FT3	100	600	OTPS125FD	
 Late-break/early-make	OT16FT3 – OT40FT3	40	600	OTPL40FD	
	OT63FT3 – OT80FT3	80	600	OTPL80FD	
	OT30FT3, OT60FT3, OT100FT3	60 100	600 600	OTPL60FD OTPL125FD	

* N1 = On the left side of the switch N2 = On the right side of the switch

Terminal poles — Switch accepts one terminal pole per side, mounts on left or right side of switch

Description	For use on:	AC thermal amp rating	AC rated voltage	Catalog number	List price
 Solid neutral Base & DIN rail mounted	OT16F3 – OT40F3	40	600	OTPN40FP	
	OT63F3 – OT80F3	80	600	OTPN80FP	
	OT30F3, OT60F3, OT100F3	100	600	OTPN125FP	
	OT160E3, ET3	125	600	OTPN160EP	
 Detachable neutral Base & DIN rail mounted	OT16F3 – OT40F3	40	600	OTPD40FP	
	OT63F3 – OT80F3	80	600	OTPD80FP	
	OT30F3, OT60F3	60	600	OTPD60FP	
	OT100F3	100	600	OTPD125FP	
 Ground terminal Base & DIN rail mounted	OT16F3 – OT40F3	40	600	OTPE40FP	
	OT63F3 – OT80F3	80	600	OTPE80FP	
	OT30F3, OT60F3	60	600	OTPE60FP	
	OT100F3 OT160E3, ET3	100 125	600 600	OTPE125FP OTPE160EP	
 Solid neutral Door mounted	OT16FT3 – OT40FT3	40	600	OTPN40FD	
	OT63FT3 – OT80FT3	80	600	OTPN80FD	
	OT30FT3, OT60FT3, OT100FT3	100	600	OTPN125FD	
 Detachable neutral Door mounted	OT63FT3 – OT80FT3	80	600	OTPD80FD	
	OT16FT3 – OT40FT3	40	600	OTPE40FD	
 Ground terminal Door mounted	OT63FT3 – OT80FT3	80	600	OTPE80FD	
	OT30FT3, OT60FT3	60	600	OTPE60FD	
	OT100FT3	100	600	OTPE125FD	
	OT160E3, ET3	125	600	OTPE160EP	

Terminal shrouds — snap on mounting for line or load side

Description	For use on:	Catalog number	List price
3 pole includes one shroud for line or load side	OT16F3 – OT40F3, -FT3 OT63F3 – OT80F3, -FT3 OT30F3, OT60F3, OT100F3, -FT3 OT160E3	OTS40T3 OTS63T3 OTS125T3 OTS160T3	
For 1 to 4-pole switches, shroud for single pole and for fourth	OTP_40F- OTP_80F- OTP_60F, OTP_125F OT160E	OTS40T1 OTS63T1 OTS125T1 OTS160T1	

** All disconnects are IP20 touch safe as standard. Terminal shrouds provide an additional level of protection.



Accessories for 16A – 125A non-fusible disconnect switches Base & DIN rail mounted



OHRS2



OHBS11



OHBS12



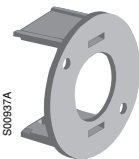
OTZS1



OHY7



CXBY68140



500357A

OHZX5

Replacement Knob – mounts directly to switch; no shaft necessary.

UL/NEMA type	Color	For use on :	Length (MM)	Padlockable	Catalog number	List price
1	Black	OT16...40	25	–	CXBY68989	
1	Black	OT63... 80,OT30,60,100	35	–	CXBY68988	
1	Red	OT63-80, OT30-100	40	Yes	OHRS2	
1	Black	OT16 - OT40	–	Yes	OHBS12	
1	Black	OT160	72	–	OHBS13	
1	Black	OT63... 80,OT30,60,100	–	Yes	OHBS2/1	
Metal collar		OT16-OT200	–	–	OTZS2	
Red knob for locking shaft in place **re-use original set screw **		OT160	–	–	CXBY68100	
Set screw ①		OT16- OT100	–	–	FLSWM5X8AY	

(1) Set screw for use with knob or collar, to be ordered separately.
Red/Yellow handles are available by substituting the OHB prefix with OHY.

Modular adapter cover – for OT16, OT25, OT40

Item	For use on :	Length (inches)	Padlockable	Catalog number	List price
Adapter cover grey	OT16, OT25, OT40	–	Yes	OHBS7	
Adapter cover yellow	OT16, OT25, OT40	–	Yes	OHYS7	

A padlock can be used with the adapter cover.

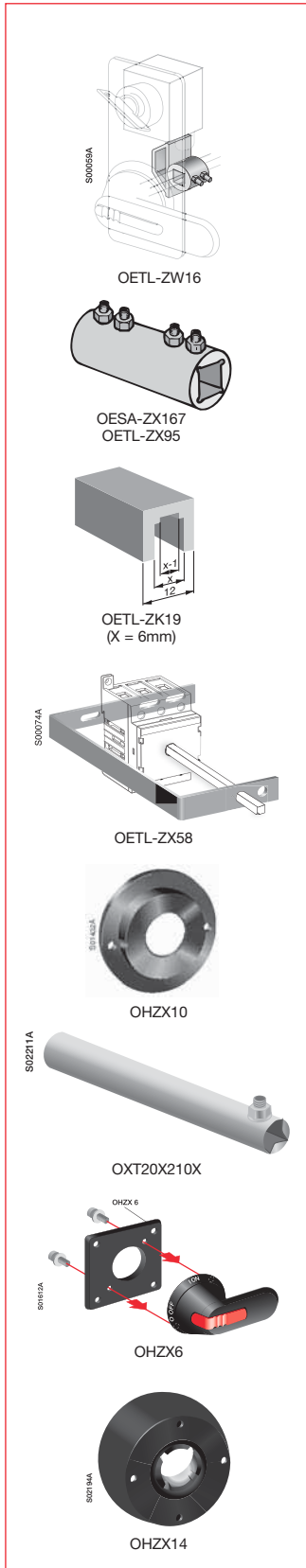
Locking clip – (replacement part)

Description	For use on :	Catalog number	List price
Door mounted switch handle locking clip	OT16, OT25, OT40	CXBY68140	

Handle support – (for direct mounting on the switch mechanism for OH_65, 80 handles)

Description	For use on:	Catalog number	List Price
Handle Support	OT160E3	OHZX5	

Accessories for 16A - 100A Non-fusible disconnect switches



Locking accessories

Description	For use on:	Catalog number	List price
Cam attachment for Kirk Key interlock. The interlock is not included.	6 & 8mm shafts	OETL-ZW16	

Shaft extension couplers

Description	For use on:	Catalog number	List price
Joins two shafts together for applications where extended length is required	for 6mm shafts for 12mm shafts	OESA-ZX167 OETL-ZX95	

Shaft adapter

Description	For use on:	Catalog number	List price
Adapts one end of a 6mm shaft to 12mm. The adapter can be placed inside the extension coupler OETLZX95	6mm shafts	OETL-ZK19	

Stainless steel hasp

Description	For use on:	Catalog number	List price
Replacement stainless steel hasp	Selector handle Pistol handle	OHZX12 OHZX13	

Shaft support

Description	For use on:	Catalog number	List price
Shaft support	OT16F3 – OT100F3	OETL-ZX58	

Pistol handle adapter, door mounted switches

Description	For use on:	Catalog number	List price
Adapter piece for pistol handle	OT30FT3, OT60FT3, OT100FT3	OHZX6	

Shafts alignment ring, improves the handle operation if a handle and a shaft have been poorly aligned

Description	For use on:	Catalog number	List price
For Pistol Handles	OH_45, 65, 80, 125, 145, 175J, L	OHZX10	
For Selector Handles	OH_2, 3, AH, AJ	OHZX11	
For round padlockable handle	OZ371P_	OZG71	

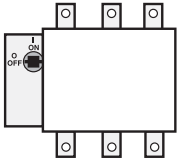
(1) fits all pistol grip handles, mounts on the inside of the enclosure door with provided hardware.

Shaft tube

Description	For use on:	Catalog number	List price
Supporting 12mm shafts longer than 280mm	12mm shafts	OXT20X210X	

Extension ring for pistol type handles

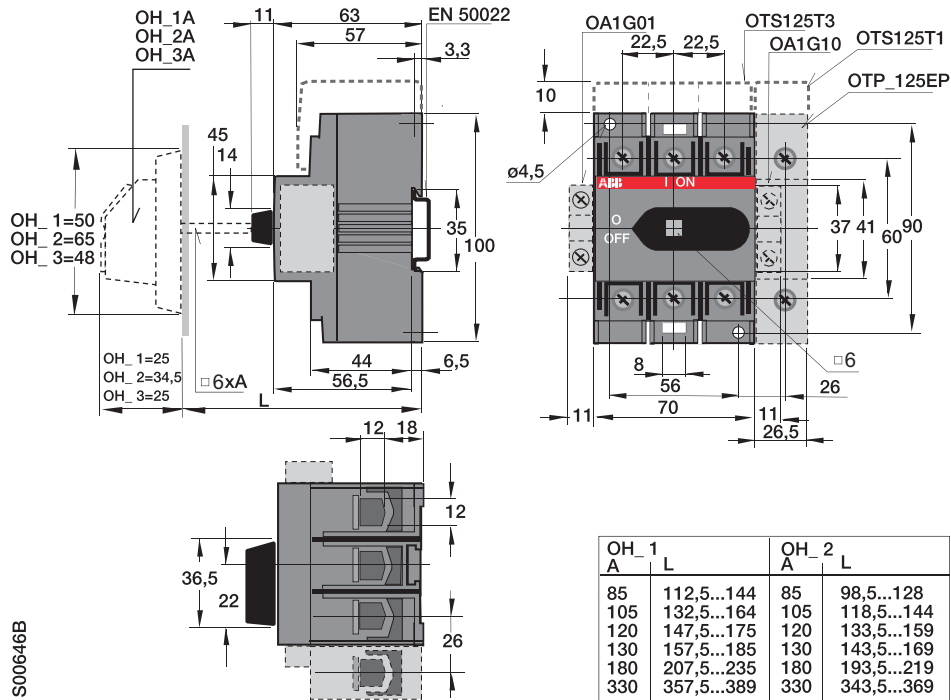
Description	For use on:	Catalog number	List price
Black	OHB_	OHZX14	



Approximate dimensions Non-fusible disconnect switches OT30 – OT100



OT30F3 – OT60F3 – OT100F3 — base & DIN rail mounted switch



OT30FT3 – OT60FT3 – OT100FT3 — door mounted switches

