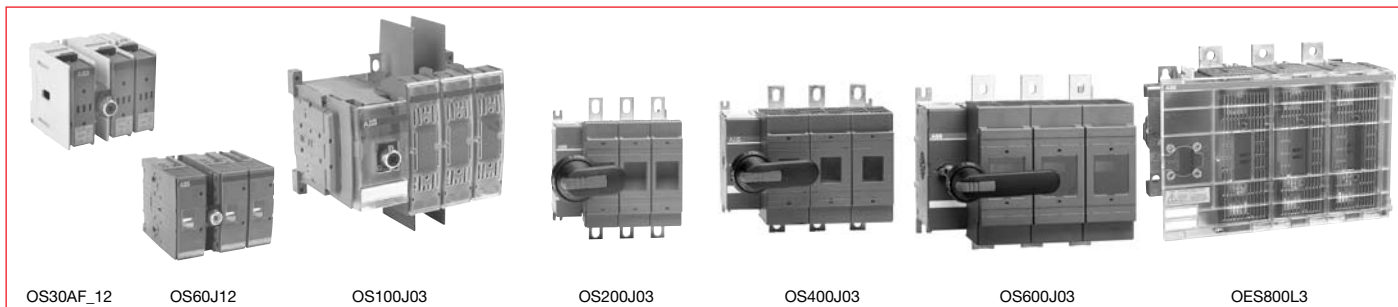


Disconnect
switches
Fusible

Selection guide

OS30AFCC12 – OES800L3



Catalog number 3 pole		OS30AFCC12	OS30AFJ12	OS60J12	OS100J03	OS200J03	OS400J03	OS600J03	OES800L3	
General purpose amp rating		A	30	30	60	100	200	400	600	800
Catalog reference		Page #	18.79	18.79	18.83	18.83	18.83	18.87	18.87	18.87
Approvals ①										
	2 pole	N/A	N/A	N/A	UL98 & IEC	UL98 & IEC	UL98 & IEC	UL98 & IEC	UL98 & IEC	UL98 & IEC
	3 pole	UL98 & IEC	UL98 & IEC	UL98 & IEC	UL98 & IEC	UL98 & IEC	UL98 & IEC	UL98 & IEC	UL98 & IEC	UL98 & IEC
	4 pole	UL98 & IEC	UL98 & IEC	UL98 & IEC	UL98 & IEC	UL98 & IEC	UL98 & IEC	UL98 & IEC	UL98 & IEC	UL98 & IEC
Technical ratings (UL, CSA)										
Max operating voltage		V	600	600	600	600	600	600	600	600
Max horsepower rating										
Three phase										
	240V	HP	7.5	7.5	15	30	60	125	200	250
	480V	HP	15	15	30	60	125	250	400	500
	600V	HP	20	20	50	75	150	350	500	600
Single phase										
	120V	HP	2	2	—	—	—	—	—	—
	240V	HP	3	3	—	—	—	—	—	—
UL fuse class			CC	J	J	J	J	J	J	L
Technical ratings (IEC)										
Rated insulation and operational voltage. AC20 and DC20		V	1000	1000	1000	1000	1000	1000	1000	1000
Rated thermal current, I _n										
	AC 20/DC 20 open	A	32	32	63	160	200	400	630	800
	AC 20/DC 20 enclosed	A	32	32	63	160	200	400	600	720
	AC 21A ≤500V	A	32	32	63	160	200	400	630	800
	≤690V	A	32	32	63	160	200	400	630	800
Rated operational power AC23										
	400/415V	kW	14/15	14/15	30	80/90	110	220/230	355	350/380
	690V	kW	25	25	60	132	200	400	560	600
Physical characteristics										
Weight										
	3 pole switch	lb	1.54	1.54	2.86	3.30	5.9	12.56	28.66	37.44
	4 pole	lb	1.98	1.98	3.52	3.96	7.5	15.21	37.48	46.26
Dimension										
	3 pole	H in	3.66	3.60	3.94	5.67	6.5	9.29	12.04	10.10
		W in	4.15	4.15	5.63	7.07	7.1	10.04	13.50	14.80
		D in	4.10	4.10	5.04	5.10	5.2	6.93	9.17	9.17
Accessories										
Double break contacts			S	S	S	S	S	S	S	S
Fuse cover			S	S	S	S	S	S	S	S
Terminal lug kit			Integral	Integral	Integral	OZXA-24	OZXA-200	OZXA-400	OZXA-800	OZXA-27
Terminal shroud			Not required	Not required	Not required	•	•	•	•	•
Auxiliary contact			•	•	•	•	•	•	•	•
Shaft/handle diameter			6mm	6mm	6mm	6mm	6mm	12mm	12mm	12mm
			.24 x .24"	.24 x .24"	.24 x .24"	.24 x .24"	.24 x .24"	.47 x .47"	.47 x .47"	.47 x .47"
Handle UL/NEMA type										
	Type 1, 3R, 12		•	•	•	•	•	•	•	•
	Type 1, 3R, 4, 4X, 12		•	•	•	•	•	•	•	•
Recommended pistol handle length			45 - 65mm	45 - 65mm	45 - 65mm	45 - 65mm	65 - 80mm	125 - 175mm	125 - 175mm	125 - 175mm
Maximum recommended shaft length			290mm	290mm	290mm	290mm	290mm	595mm	595mm	595mm
Electrical interlock			—	—	—	—	—	•	•	•

① UL listed switches are also CSA approved.

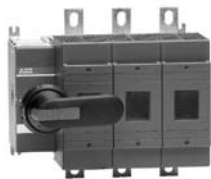
**Disconnect
switches**
Fusible

Base & DIN rail mounted 30 – 800A

For a complete assembly, please select one of each:

- 1 switch (pg. 18.24)
- 1 handle (pg.18.25)
- 1 shaft (pg. 18.26)
- 1 terminal lug kit (pg. 18.27)

(Only required for 100A & above.)



OS400J03



OXP12X280



OHB145J12



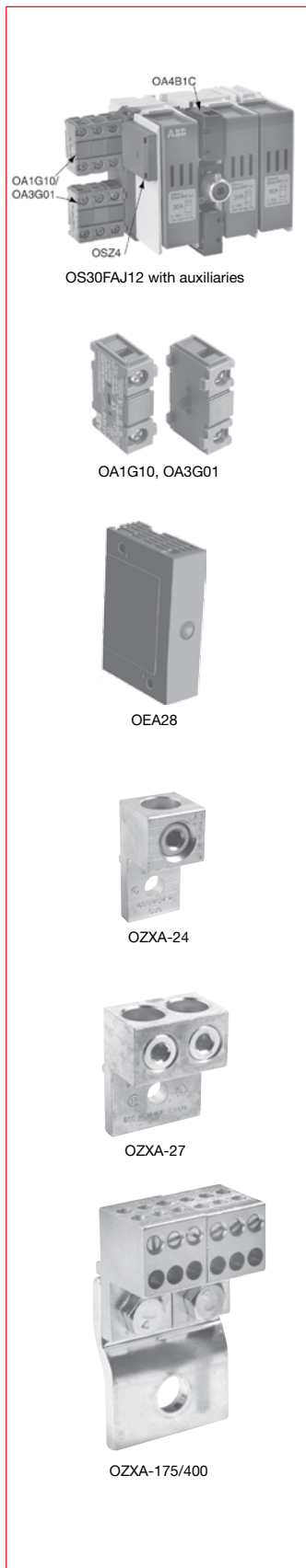
OZXA-24

	UL general purpose amp rating	UL Fuse Type 600V	2 Pole		3 Pole		4 Pole	
			Catalog number	List price	Catalog number	List price	Catalog number	List price
UL 98	30	J CC ①	—	—	OS30FAJ12 OS30FACC12	\$ 280 280	OS30FAJ22F OS30FACC22F	\$ 350 350
	60	J	—	—	OS60J12	380	OS60J22F	490
	100	J	—	—	OS100J03	520	OS100J04F	660
	200	J	OS200J02	\$ 1,240	OS200J03 OS200J30 OS200J12	1,380 1,380 1,380	OS200J04F OS200J13F OS200J22F	1,725 1,725 1,725
	400	J	OS400J02	1,680	OS400J03 OS400J30 OS400J12	1,860 1,860 1,860	OS400J04F	2,320
	600	J	OS600J02	2,600	OS600J03 OS600J30 OS600J12	4,613 4,613 4,613	OS600J04F	5,536
	800	L	OES800L2	4,280	OES800L3	4,760	OES800L4	5,950

① Rejection style fuses only.

Disconnect
switches
Fusible

Standard fusible accessories Base & DIN rail mounted switches



Auxiliary contacts — snap-on mounting

Description	For Use On	Weight (Lbs.)	AC Thermal amp rating	AC rated voltage	Catalog number	List price
Form C 1 N.O. & 1 N.C.	OS30	0.04	6	250	OA4B1C	\$ 40
1 N.O.	OS30 - OS600	0.07	10	600	OA1G10	20
1 N.C.	OS30 - OS600	0.07	10	600	OA3G01	20
Module for auxiliary contacts	OS30	0.09	—	—	OSZ4	20
	OS200 - OS600	0.10	—	—	OEA28	50

Auxiliary contacts — front mounting

Description	For Use On	Weight (Lbs.)	AC Thermal amp rating	AC rated voltage	Catalog number	List price
1 N.O. + 1 N.C.	OES800	0.20	10	600	OZXK-1	\$ 100
2 N.O. + 2 N.C.		0.26	10	600	OZXK-2	170
4 N.O. + 4 N.C.		0.40	10	600	OZXK-3	340
2 N.O.	OES800	0.18	10	600	OZXK-4	100
4 N.O.		0.25	10	600	OZXK-5	170
8 N.O.		0.4	10	600	OZXK-6	340

Mounting & installation considerations

OS30	Form C contacts mount directly to switch Maximum two Form C contacts OA1G10 (1 N.O.) + OA3G01 (1 N.C.) require mounting base Maximum 6 OA1G10 + OA3G01 contacts with mounting base OSZ4
OS60 - 600	Mounting to left side of switch with OEA28 module: Maximum 8 contact blocks Mounting under mechanism cover: Maximum 4 contact blocks

Terminal lugs

For Use On	Wire Size	Wire Type	Lugs/Kit	Catalog number	List price
OS100	#14 - 2/0	Cu/Al	6	OZXA-24 ①	\$ 24
OS200	#4 - 300 kcmil (6) 14-6 AWG	Cu/Al	6	OZXA-200	80
			3	OZXA-200/3	40
			3	OZXA-206/S	200
OS400	(2) #2 - 300 kcmil (2) #2 - 500 kcmil	Cu/Al	6	OZXA-400	190
			6	OZXA-402	210
			6	OZXA-33	375
OS600	(2) #2 - 600 kcmil (2) - 600 kcmil	Cu/Al	6	OZXA-800	360
			3	OZXA-800/3	180
OES800	(12) #14 - 6 kcmil (2) #2 - 600 kcmil (2) #2 - 600 kcmil	Cu/Al	3	OZXA-175/400	270
			6	OZXA-27	380
			3	OZXA-27/3P	190

① Not suitable for use on cable operated flange version of OS100.

Disconnect
switches
Fusible

Special configurations Shaft operated flange 30A - 100A

For a complete assembly, please select one of each.



Switch



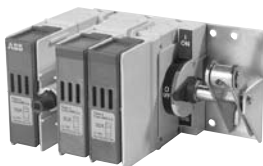
Handle



Shaft



Lug kit (as required)



OS30FAJF30



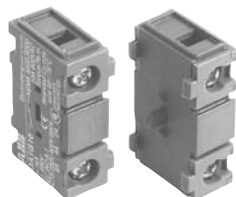
DSFHN-HS_



DSFHS_



OZXA-24



OA1G_

30A -100A Flange operated fusible switches (Shaft) – 3 pole

UL general purpose amp rating A	UL fuse type 600V	Maximum horsepower rating			Catalog number	List price
		Three phase				
		240V	480V	600V		
30	J	7.5	15	20	OS30FAJF30	\$ 500
30	CC	7.5	15	20	OS30FACCF30	500
60	J	15	30	50	OS60JF30	590
100	J	30	60	75	OS100JF30	690

Flange handles

UL/ NEMA type	Marking	Defeatable	Padlockable	Catalog number	List price
1, 3R, 12	OFF/ON	Yes	Yes	DSFHN-HS12	\$ 156
4, 4X	OFF/ON	Yes	Yes	DSFHN-HS4	240

Shafts

For use with:	Maximum enclosure depth (inches)	Catalog number	List price
OS30_ - OS100_	16	DSFHS-12	\$ 28
	21	DSFHS-17	40
	26.5	DSFHS-22	52

Terminal lug kits and accessories

For use on:	Description	Wire size	Wire type	Qty.	Catalog number	List price
OS30_	Lug	#18 - #8	Cu	--	Integral	--
OS60_	Lug	#14 - #4	Cu	--	Integral	--
OS100_	Lug	#14 - 2/0	Cu/Al	6	OZXA-24	\$ 24
OS30_ - OS100_	Aux. Contact	1 NO		1	OA1G10	20
	Aux. Contact	1 NC		1	OA3G01	20
OS30_	Adapter	Needed for mounting aux. Contacts on OS30_		1	OSZ4	20
OS100_	Shroud	Includes one set of 3 for use on line or load side		1	OSS160T3	60

Door hardware NEMA 12

Item	Catalog number	List price
Safety door latch, 2 point, door less than 40" high	KDH2R	\$ 200
Safety door latch, 3 point, door greater than 40" high	KDH3R	225

Flange operated fusible and non-fusible disconnect switches

ABB's solution for complying with the new NFPA79 requirements is Flange Operated Fusible and Non-fusible Disconnect Switches.

New 2002 NFPA 79 changes requires main disconnecting means to be operable without the use of accessory tools or devices, independent of door position. This code also includes an interlocking provision to prevent the closing of disconnects while the enclosure door is open, unless an interlock is operated by a deliberate action.

The flange operated disconnect switches are available as ridged shaft or flexible cable operated versions. The cable operated version allows you to install the disconnect switch anywhere in the enclosure depending on the length of the cable. Cables are available in lengths up to 84 inches.

The designs are cost-effective NFPA 79 solutions offering quick and easy installation.